



Polaris®

9300
SPORT

Polaris 9300 Sport



Owner's Manual Manuel du propriétaire Manual del usuario

⚠ WARNING

FOR YOUR SAFETY - For anything other than the routine cleaning and maintenance described in this manual, this product must be serviced by a contractor who is licensed and qualified in pool equipment by the jurisdiction in which the product will be installed where such state or local requirements exist. In the event no such state or local requirement exists, the maintainer must be a professional with sufficient experience in pool equipment installation and maintenance so that all of the instructions in this manual can be followed exactly. Improper installation and/or operation will void the warranty.

⚠ AVERTISSEMENT

POUR VOTRE SÉCURITÉ – Pour toute opération autre que l'entretien de routine et la maintenance décrite dans ce manuel, ce produit doit être pris en charge par une entreprise qui est autorisée et qualifiée pour la réparation des équipements de piscine par la juridiction où le dit produit est installé lorsque de telles exigences locales ou provinciales sont édictées. Si aucune exigence locale ou provinciale n'est disponible, l'agent d'entretien doit être un professionnel avec suffisamment d'expérience dans l'installation et la maintenance d'équipement de piscine pour appliquer correctement les consignes du présent manuel. L'installation ou l'utilisation inappropriée annulera la garantie.

⚠ ADVERTENCIA

PARA SU SEGURIDAD - Para cualquier cosa con excepción de la limpieza rutinaria y mantenimiento de descritos en este manual, este producto debe ser atendido por un contratista que está autorizado y calificado en equipo de piscina bajo la jurisdicción en la que el producto se instala en donde requisitos de estado y locales existen. En el caso de que no exista ningún requisito de estado o local, el responsable debe ser un técnico profesional con experiencia suficiente en la instalación de piscinas y mantenimiento de equipo para que todas las instrucciones en este manual puede ser seguidas exactamente. Inapropiada instalación y/o operación anulará la garantía.

Table of Contents

Section 1.	Important Safety Instructions	4	Section 5.	Cleaning and Maintenance	10
Section 2.	9300 Sport Specifications	6	5.1	Cleaning the Filter Canister.....	10
2.1	General Specifications	6	5.2	Cleaning and Storing the Cleaner..	11
Section 3.	Assembly and Initial Usage.....	6	5.3	Replacing the Brushes	11
3.1	Unpacking	6	5.4	Replacing the Tires on the Cleaner.....	13
3.2	Assembling the Transport Caddy...	6	Section 6.	Troubleshooting	14
3.3	Connecting the Power Supply to the Caddy	8	6.1	General Troubleshooting.....	14
3.4	Electrical Connection	8	Section 7.	Polaris 9300 Sport Exploded View and Replacement Parts List.....	15
Section 4.	Operation	9	7.1	Parts List	15
4.1	Submerging the Cleaner	9	7.2	Exploded View.....	16
4.2	Operating the Cleaner.....	9			

THANK YOU FOR PURCHASING THE POLARIS 9300 SPORT CLEANER.

YOUR POLARIS 9300 SPORT HAS BEEN DESIGNED AND MANUFACTURED TO BE EASILY INSTALLED AND TO PROVIDE LOW MAINTENANCE OPERATION. PRIOR TO INSTALLING YOUR NEW POLARIS 9300 SPORT, PLEASE DO THE FOLLOWING:

- 1) Complete and return the warranty card.
- 2) Record your purchase information on the spaces provided below.
- 3) Attach your invoice (or a copy) to this page.

Taking these steps will help ensure prompt warranty service, should it be required. If service is required, please contact your original dealer. If the original dealer does not perform warranty service, please visit www.polarispool.com to locate an independent service company near you. If you are unable to locate a service company, please call our Technical Support department at 800-822-7933.

RECORD YOUR 9300 SPORT POOL CLEANER DATA HERE:

Date of Purchase _____ Purchased From _____ Serial Number: _____
(located on machine head)

City _____ State _____ Zip Code _____

Section 1. Important Safety Instructions

Congratulations on purchasing the Polaris 9300 Sport cleaner. Please take a moment to read through the entire manual before installing your new robotic pool cleaner. Your cleaner must be installed and operated as specified.

READ AND FOLLOW ALL INSTRUCTIONS

WARNING

Failure to comply with the following warnings can result in permanent injury, electrocution or drowning.

PREVENT ELECTRICAL SHOCK

To reduce risk of electrical shock:

- Connect unit to receptacle protected by a ground fault circuit interrupter (GFCI).
- Per the United States National Electric Code (NEC), keep the power unit at least five (5) feet from the edge of the (pool/spa) water and do not remove it from its caddy. In Canada, the Canadian Electrical Code (CEC) requires a minimum distance of 3m (10 ft.) to be maintained between the pool edge and the power unit. Never submerge the power supply.
- Do not enter pool while the 9300 Sport is in water.
- Do not bury cord. Locate cord so as to prevent it from being damaged by lawn mowers, hedge trimmers and other equipment.
- To reduce the risk of electrical shock, do not use the 9300 Sport cleaner or power supply if the cord is worn or damaged. Contact Zodiac Pool Systems, Inc. immediately for a replacement cord.
- Double insulation—For continued protection against possible electric shock, use only identical replacement parts when servicing. Do not attempt repair of the 9300 Sport cleaner, power supply, power cord, or floating cable.
- NEVER OPEN POWER SUPPLY.
- Do not use an extension cord to connect the unit to electric supply; provide a properly located outlet. The power supply should be placed near the outlet box.

PREVENT CHILD INJURY AND DROWNING

- To reduce the risk of injury, do not permit children to operate this product.
- Do not let anyone, especially small children, sit, step, lean, or climb on any equipment installed as part of your pool's operational system.

CAUTION

Failure to comply with the following warnings could cause damage to pool equipment or personal injury.

- The 9300 Sport must be installed and operated as specified.
- Turn the 9300 Sport off before removing it from water, and do not operate out of water.
- Do not remove the 9300 Sport from the pool for 15 minutes after the cleaning cycle has completed.
- Clean filter canister in the 9300 Sport after each use.
- Do not use the product in your pool if the water temperature is above 95° F (35° C) or below 55° F (13° C).

⚠ CAUTION**USE OF THE POLARIS 9300 SPORT CLEANER IN A VINYL LINER POOL**

Certain vinyl liner patterns are particularly susceptible to rapid surface wear of pattern removal caused by objects coming into contact with the vinyl surface, including pool brushes, pool toys, floats, fountains, chlorine dispensers, and automatic pool cleaners. Some vinyl liner patterns can be seriously scratched or abraded simply by rubbing the surface with a pool brush. Ink from the pattern can also rub off during the installation process or when it comes into contact with objects in the pool. Zodiac Pool Systems, Inc., is not responsible for, and the Limited Warranty does not cover, pattern removal, abrasion or markings on vinyl liners.

SAVE THESE INSTRUCTIONS

Section 2. 9300 Sport Specifications

2.1 General Specifications

The general specifications for the Polaris 9300 Sport are as follows:

Control box supply voltage:	100-125 VAC, 60 Hz
Polaris 9300 supply voltage:	28 V DC
Installed load:	150 W max
Cable length:	60 feet 18 m
Cleaner size (WxDxH):	16.9 x 18.9 x 10.6 inches 43 x 48 x 27 cm
Pack size (WxDxH):	22.8 x 22.8 x 23.2 inches 58 x 58 x 59 cm
Weight of Cleaner:	25 lbs 11.3 kg
Packed weight:	42 lbs 19 kg
Filtration capacity:	100 microns
Cycle lengths:	1.30 hrs, 2.30 hrs

The Polaris 9300 is a double-insulated product. A double-insulated electrical appliance is one which has been designed in such a way that it does not require a safety connection to ground. The basic requirement for double-insulation is that no single failure can result in dangerous voltage becoming exposed so that it might cause an electric shock and that this is achieved without relying on an earthed (grounded) metal casing. This is achieved by having two layers of insulating material surrounding live parts or by using reinforced insulation. Therefore, devices having double-insulated construction, such as the Polaris 9300, do not utilize a grounded (three-prong) cord/plug.

Section 3. Assembly and Initial Usage

3.1 Unpacking

The packaging should contain the following items (Refer to Figure 1):

- 9300 Sport cleaner
- Power supply
- Transport and storage caddy (complete with assembly components)

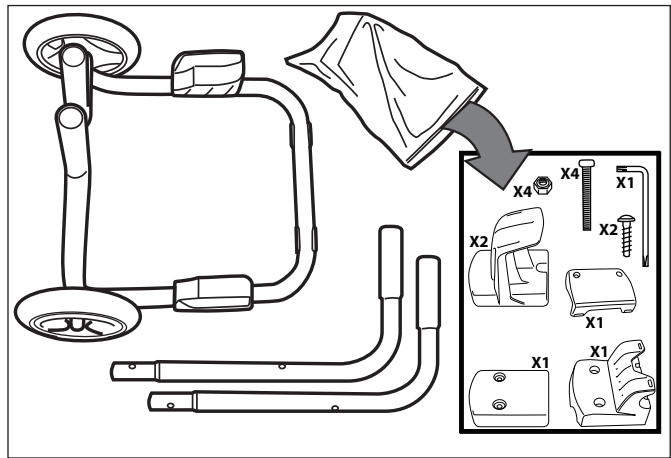


Figure 1. Polaris 9300 Sport Components

Check that the unit has not been damaged during transport. If you detect damage, contact Zodiac Pool Systems, Inc. at 800.822.7933 before using your 9300 Sport cleaner.

To unpack the 9300 Sport and its components:

1. Remove the lower portion of the caddy along with the upper and lower power cable hooks, power supply hook, power cable hook plate, locking plate, nuts, bolts and screws.
2. Remove the small box that contains the power supply.
3. Remove the handles (left and right) of the caddy, which are located against one side of the box.
4. Remove the cleaner from the box.

3.2 Assembling the Transport Caddy

1. Position the power cable hook and power supply hook on the upper tubes as shown in Figure 2. Make sure the upper tubes (handles) are in the proper orientation.

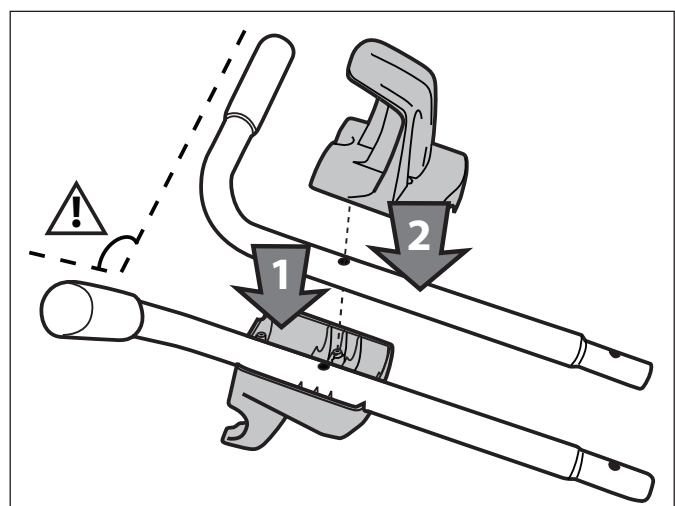


Figure 2. Install Hooks on the Upper Handles

- Secure the power cable hook and power supply hook around the tubes using a screw and hand tighten with the Torx® wrench (supplied with unit). Refer to Figure 3.

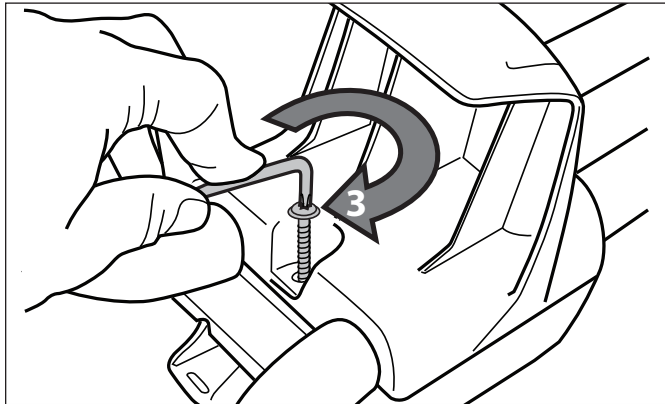


Figure 3. Install the Power Cable Hook and Power Supply Hook

- Secure the power supply hook using two (2) bolts and two (2) nuts and tighten with Torx wrench. Refer to Figure 4.

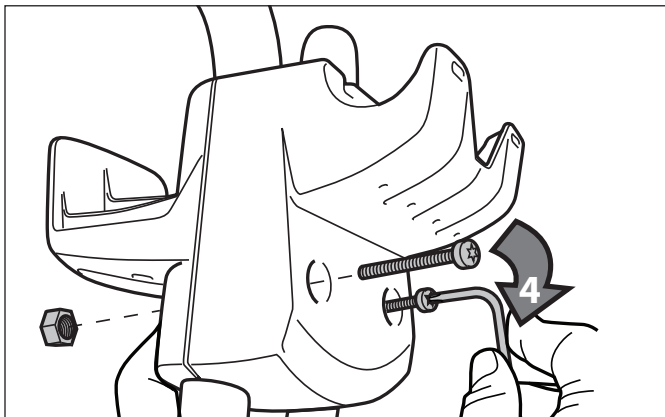


Figure 4. Secure the Hooks

- Insert the upper tubes (handles) into the bottom tubes on the cart as shown in Figure 5. Make sure the upper tubes (handles) are in the proper orientation and align the screw holes.

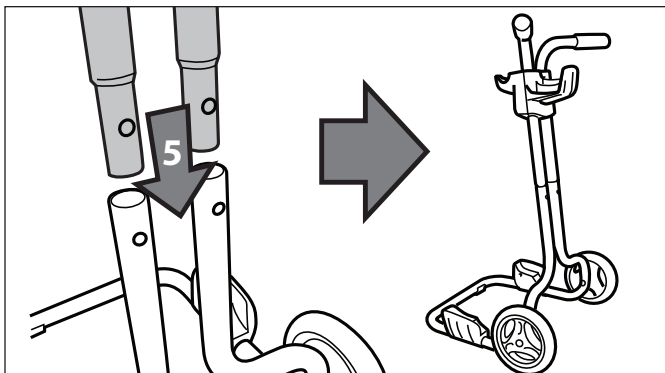


Figure 5. Install the Handles

- Position the bottom power cable hook as shown in Figure 6. Place the cable hook plate opposite the power cable hook. Secure using a screw and tightening with the Torx wrench. Refer to Figure 7.

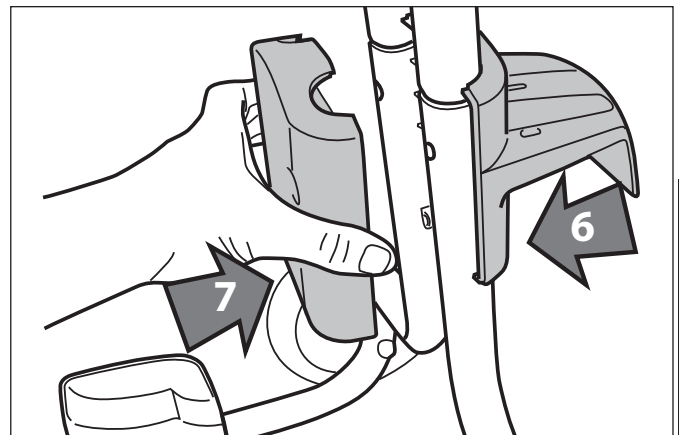


Figure 6. Position the Bottom Power Cable Hook

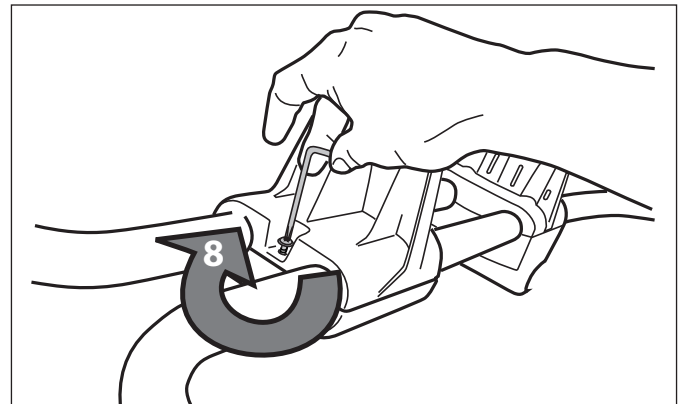


Figure 7. Secure the Bottom Power Cable Hook

- Secure the cable hook plate using two (2) bolts and two (2) nuts and tighten with Torx wrench. Refer to Figure 8. The transport caddy is now ready to use as shown in Figure 9.

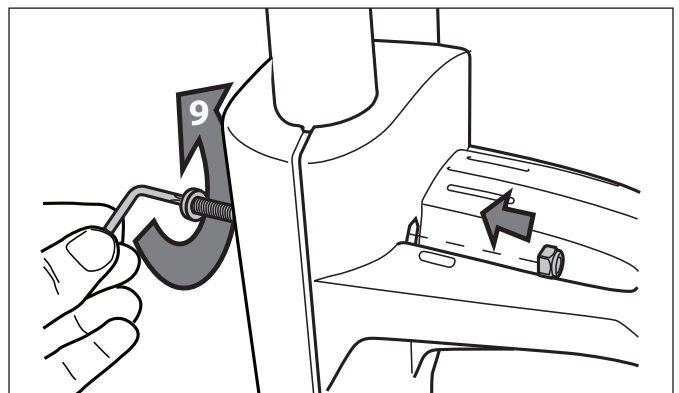


Figure 8. Secure the Cable Hook Plate

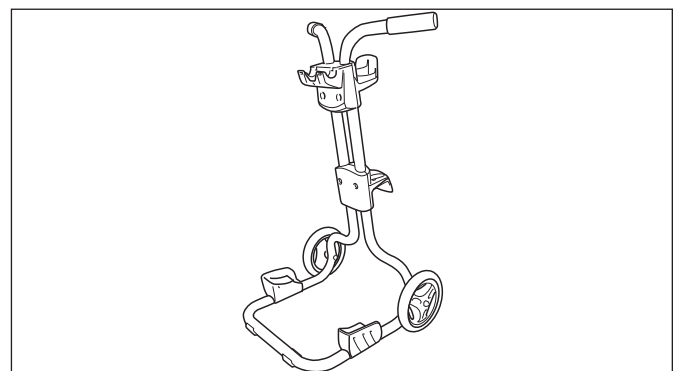


Figure 9. Transport and Storage Caddy Assembled

English

3.3 Connecting the Power Supply to the Caddy

1. Position the power supply over the power supply hook on the caddy.
2. Slide the locking plate clips into the control hook and line up the screw holes. Refer to Figure 10.

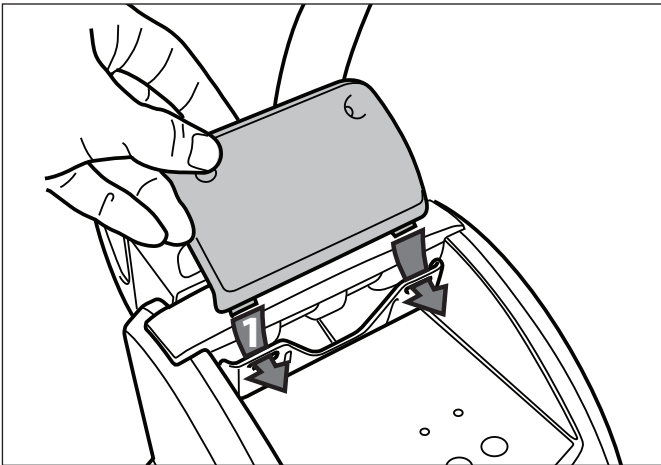


Figure 10. Position the Locking Plate Clips

3. Secure the locking plate using Phillips head screws. Do not overtighten. Refer to Figure 11.

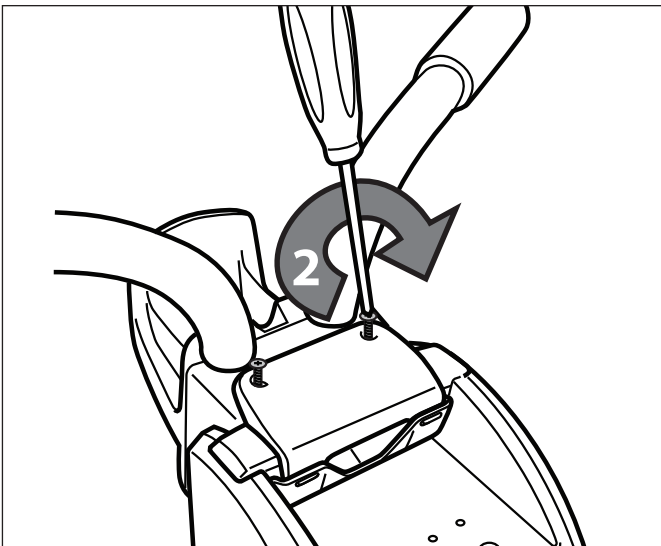


Figure 11. Secure the Locking Plate

3.4 Electrical Connection

⚠ WARNING

Failure to comply with the following warnings can result in permanent injury, electrocution or drowning.

PREVENT ELECTRICAL SHOCK

- Keep the power supply at least five (5) feet from the edge of the pool (Canada 3m (10 ft.) per CEC requirements). Never submerge the power supply.
- Only connect the power supply to a receptacle protected by a ground fault circuit interrupter (GFCI). Contact a certified electrician if you cannot verify that the receptacle is protected by a GFCI.
- Do not use an extension cord to connect the power supply.
- Do not allow anyone to swim while the 9300 Sport cleaner is in the pool.

For your safety and to obtain the best possible performance from your 9300 Sport, connect the cleaner's floating cable to the power supply and thread connector until it is snug. Do not overtighten. Refer to Figure 12.

IMPORTANT

- The 9300 Sport power supply is equipped with an automatic shut off feature to prevent overheating if operated in direct sunlight for an extended period of time.
- The 9300 Sport power supply is water-resistant, not waterproof. Therefore, never submerge the power supply.

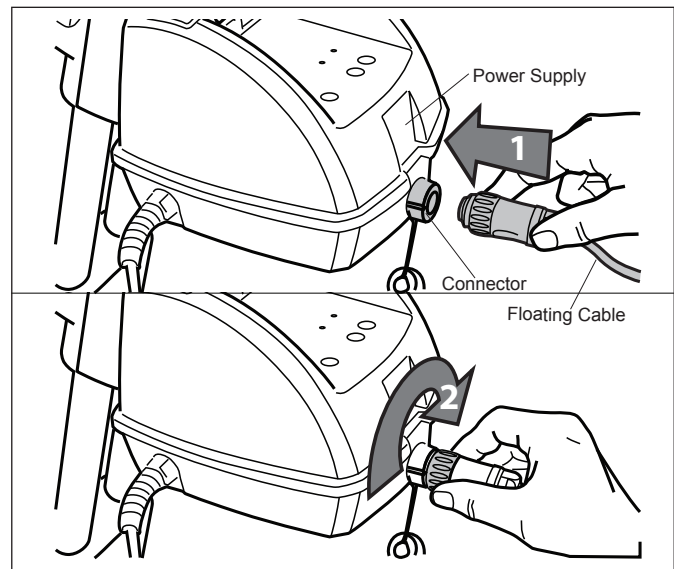


Figure 12. Electrical Connection

Section 4. Operation

4.1 Submerging the Cleaner

1. Submerge the cleaner in the pool and remove any air trapped inside by keeping the unit vertical. Refer to Figure 13.

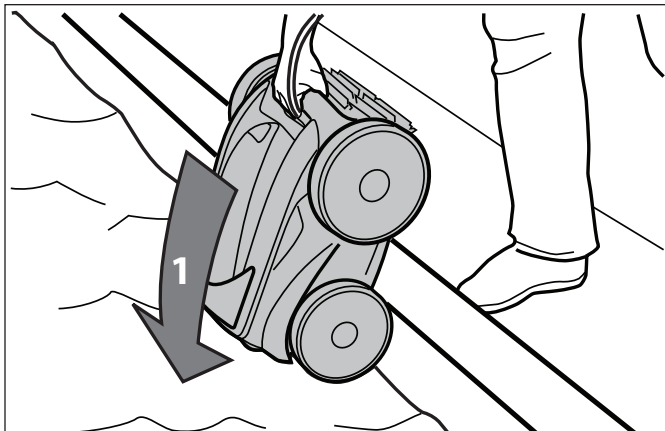


Figure 13. Submerge the Cleaner Vertically

2. Ensure the unit sinks to the bottom of the pool. Refer to Figure 14.

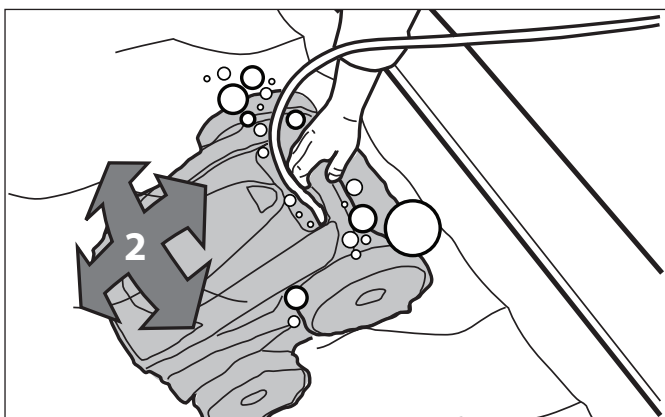


Figure 14. Cleaner on the Bottom of the Pool

3. Spread out the floating cable over the pool, ensuring there are no kinks or coils in the cable. Refer to Figure 15.

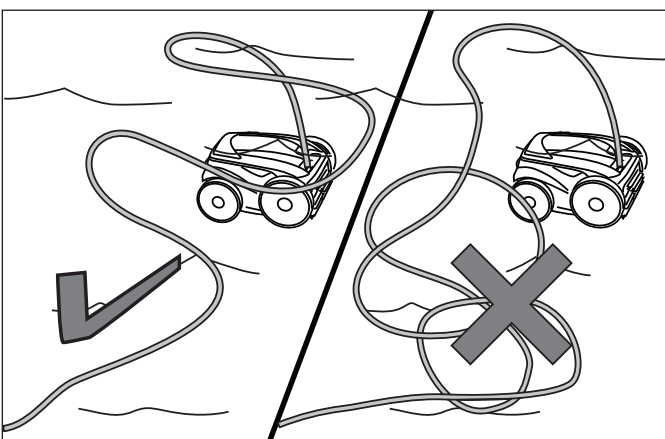


Figure 15. Spread Floating Cable Over the Pool

4.2 Operating the Cleaner

Select either the Cycle I or Cycle II cleaning program on the power supply:

- | Cycle I Program | Cycle II Program |
|------------------------------------|-----------------------------------|
| • Completed in 1.5 hours | • Completed in 2.5 hours |
| • Maximum coverage in minimal time | • Intensive and complete cleaning |
| | • Thorough tile cleaning |

1. To start your 9300 Sport cleaner, press the button for "Cycle I" cleaning program. "Cycle I" cleaning is the primary cleaning cycle for inground pools. If an alternative cycle is preferred, press "Cycle II". Refer to Figure 16. The indicator light illuminates and the cleaner starts up after just a few seconds. When the cleaner is powered ON it will remain in standby until the Cycle I button is pressed.

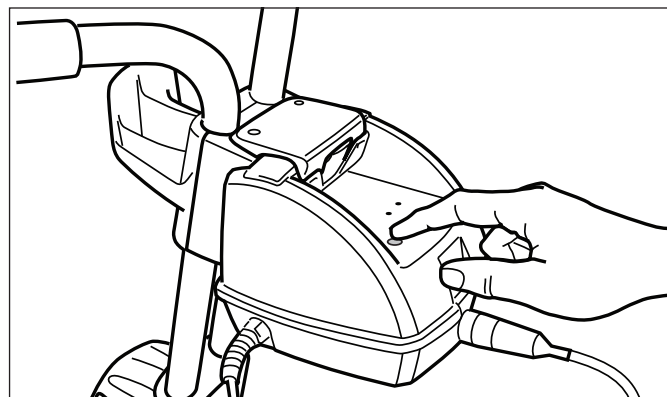


Figure 16. Start the Cleaner

2. When the "Cycle I" program button is selected the indicator light above will illuminate. The cleaner will start in a few seconds.
3. To change the selected cleaning cycle, press the new cycle button and the new cycle will start in a few seconds.
4. If you wish to stop the cleaner during a cleaning cycle, press the OFF button. Refer to Figure 17.
5. At the end of the cycle, the cleaner will stop and after 15 minutes the light will flash slowly to indicate the cycle is completed.
6. The 9300 Sport includes a safety feature that automatically stops the cleaner after about 20

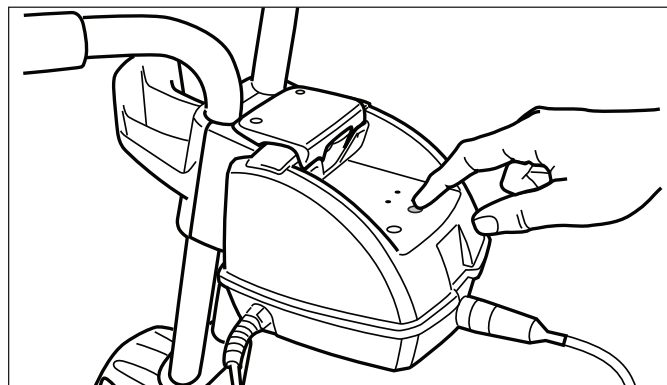


Figure 17. Turn Cleaner Off

seconds, when it is powered on, but not submerged in the water. For pools equipped with a beach area, this safety feature allows the cleaner to reverse, and back into the pool when the impeller is out of the water.

7. Disconnect the power supply cable from the electrical outlet.
8. Disconnect the cable from the power supply.
9. **At the end of each cycle, coil the cable starting at the cleaner and go toward the connection point at power supply. Remove coils or twists along the way.**

⚠ CAUTION

To prevent damage to the 9300 Sport, be sure to adhere to the following guidelines:

- Approximately 15 minutes after the cycle is completed, the light located on the power supply will flash slowly to indicate that the cleaner may be removed from the pool. The 15 minute period allows the motor to cool and will prevent damage to the cleaner.
- Remove the 9300 Sport from the pool after the cleaning cycle is completed and store on the caddy.
- Never lift the 9300 Sport out of the pool by the floating cable. Always use the handle to remove it from the pool. Refer to Figures 18 and 19.
- Remove the 9300 Sport from pool when super chlorinating.

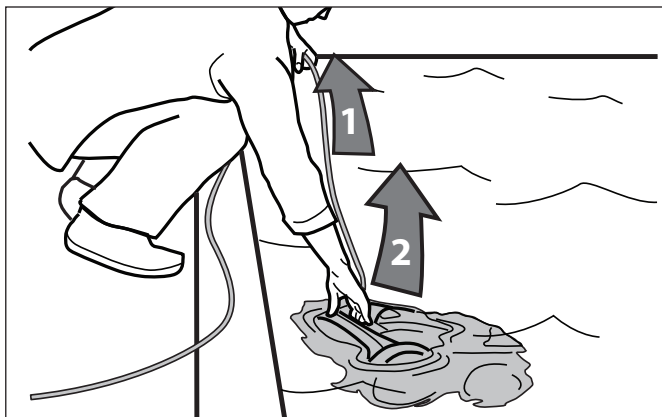


Figure 18. Remove Cleaner From Pool

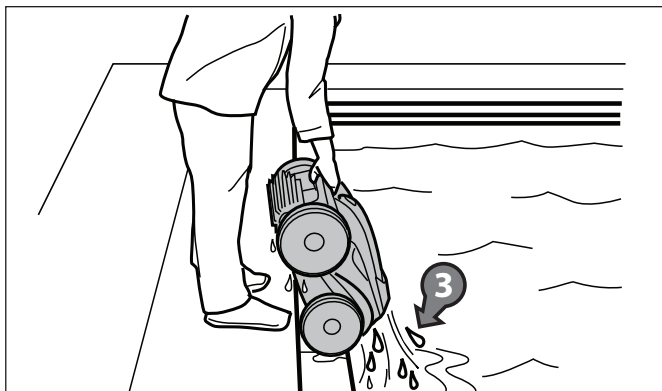


Figure 19. Keep Cleaner Vertical to Drain Water

IMPORTANT

- Use your 9300 Sport cleaner as often as needed to keep your pool clean.
- Clean the filter canister after each cleaning cycle.
- Do not leave your cleaner in the pool on a permanent basis.
- At the end of each cycle, remove the cleaner from the pool. Start at the cleaner head and untangle any coils in the hose before storing the cleaner.

Section 5. Cleaning and Maintenance

⚠ WARNING

To avoid electric shock and other hazards which could result in permanent injury or death, disconnect (unplug) the cleaner from the power supply before performing any cleaning and maintenance.

5.1 Cleaning the Filter Canister

The filter canister should be cleaned at the end of each cycle.

1. Ensure that the power supply cable has been disconnected from the electrical outlet or that the floating cable has been disconnected from the power supply.
2. Remove the cleaner from the water and let the remaining water drain by maintaining the cleaner in the vertical position.
3. Set the unit on its wheels.
4. To remove the filter from the cleaner, follow the steps 1 through 6 (Figures 20 through 23).
5. Push the cover lock (1) and lift the cover (2) until it is secured in the vertical position. Refer to Figure 20.

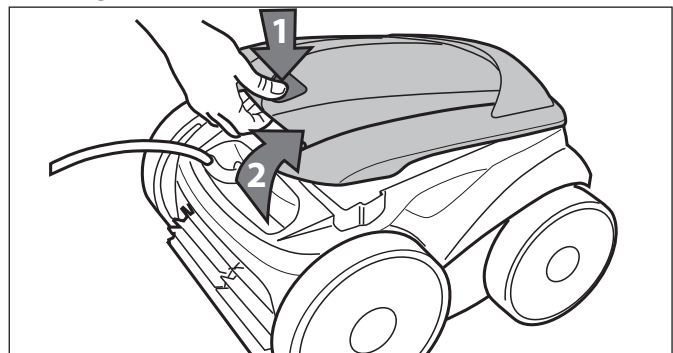


Figure 20. Lift Cleaner Cover

6. Remove the filter assembly from the body (3), as shown in Figure 21.
7. Push the quick release button on the canister assembly (4) and pull open the filter assembly (5). Refer to Figure 22.
8. Separate the filter canister from the filter support (6), as shown in Figure 23.
9. Wash the filter canister, the filter support, and the cleaner under water or using a hose (7). Refer to Figure 24.

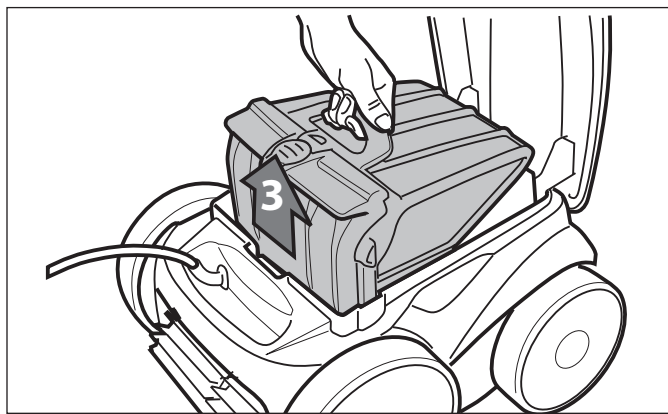


Figure 21. Remove Filter Assembly

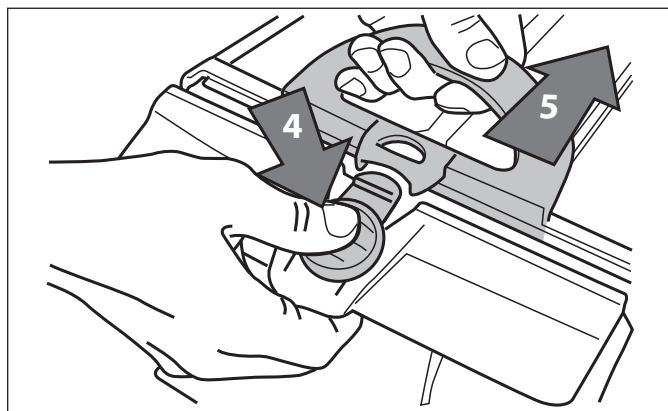


Figure 22. Open Filter Assembly

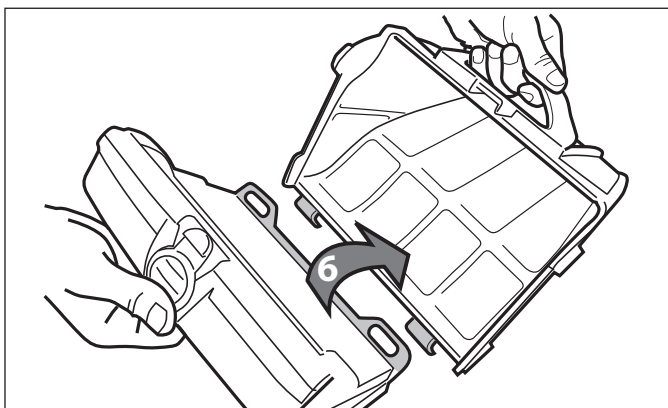


Figure 23. Remove Filter Canister

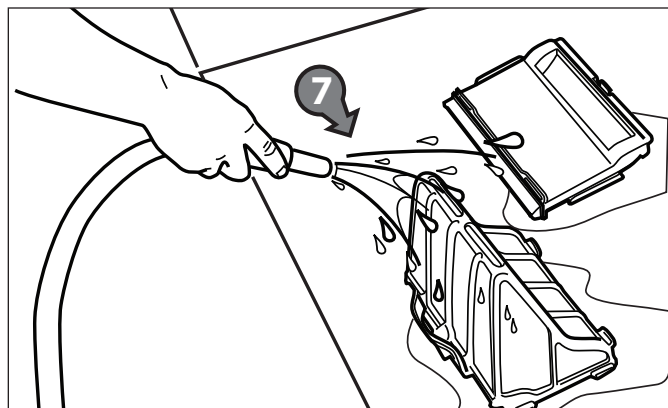


Figure 24. Wash Filter Canister

5.2 Cleaning and Storing the Cleaner

The cleaner must be cleaned regularly using slightly soapy clean water, do not use solvents such as trichloroethylene or its equivalent. Rinse the cleaner generously using clean water. Do not let your cleaner dry in direct sunlight near the pool. The cleaner must be stored on its own caddy, so that it dries quickly.

1. Place the rear wheels on the caddy side wedges as shown in Figure 25.



Figure 25. Position Cleaner on Caddy

2. Roll the unit into place onto the caddy. Refer to Figure 26.

NOTE: The cleaner cable must be disconnected from the control box before removing the cleaner from the pool. Wrap the cleaner cable around the hooks located at the rear of the caddy.

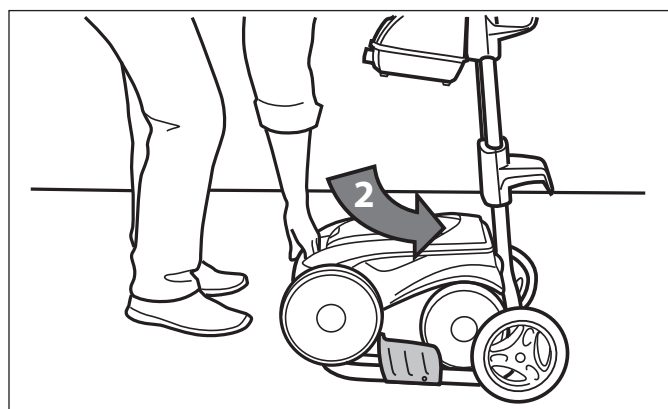


Figure 26. Roll Cleaner onto Place on the Caddy

5.3 Replacing the Brushes

The cleaner is fitted with PVC brushes. There are "wear" indicators on the brushes. To maintain cleaner performance at its best you need to replace the brushes as soon as one of the wear indicators has been reached (even if the blade wear is not even). Polaris recommends that you replace the brushes every two (2) years.

1. Lift the cleaner to a vertical position so that the handle is up. Refer to Figure 27.

English

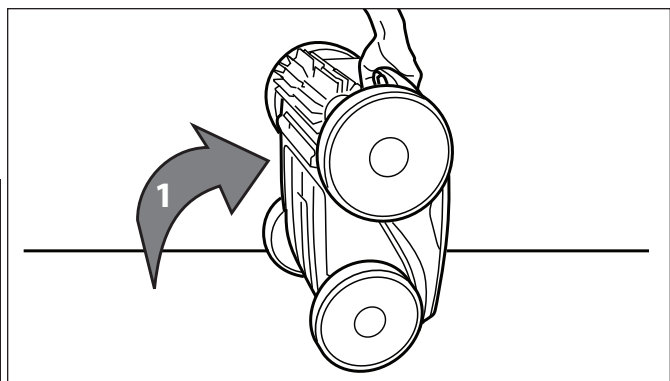


Figure 27. Clean in Upright Position

2. Separate the edges of the brush and undo the tabs as shown in Figure 28. Remove the worn brushes.

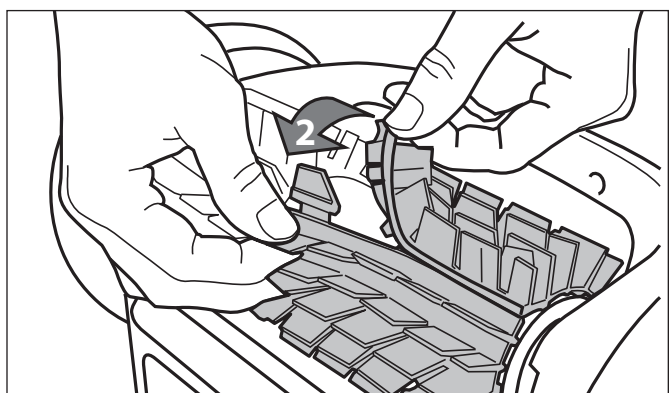


Figure 28. Undo the Tabs of the Brush

3. To install a new brush, position the new brush on the roller with the spikes facing downwards. Refer to Figure 29.

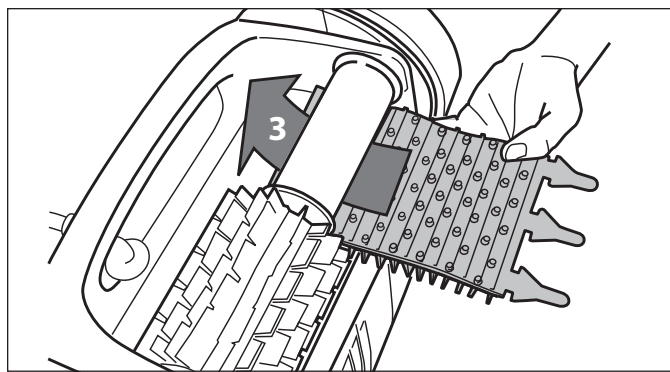


Figure 29. Install the New Brush

4. Thread each tab into the slot provided and gently feed it through until the heel comes out at the other side of the slot. Refer to Figure 30.

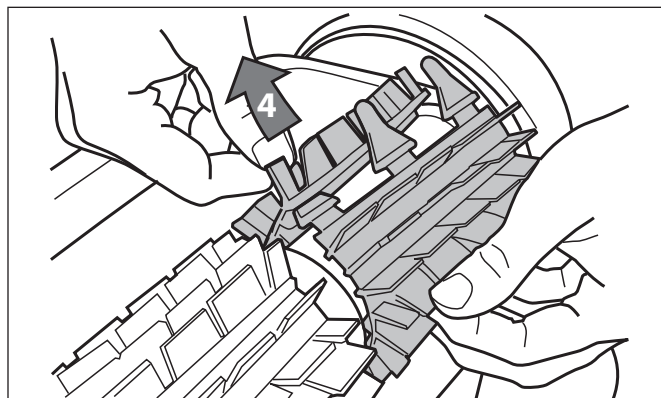


Figure 30. Pull Tabs Through Each Slot

5. Use a pair of scissors to cut the tabs 3/4 inch from the heel so that they are no higher than the spikes as shown in Figure 31.
6. Repeat this procedure to install the second brush.

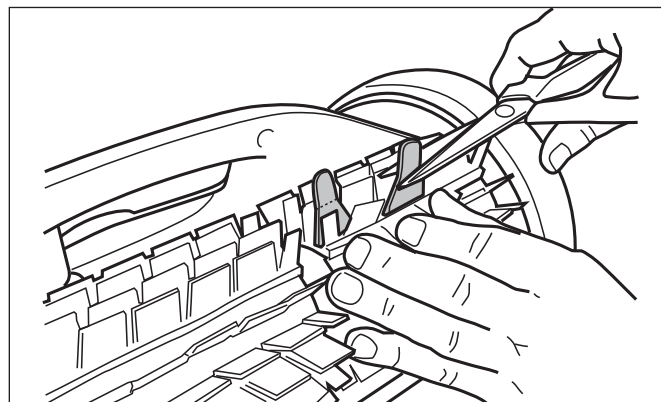


Figure 31. Cut Tabs

5.4 Replacing the Tires on the Cleaner

1. Pull on the inside of the old tire to remove the tire lip from the wheel. See Figure 32.

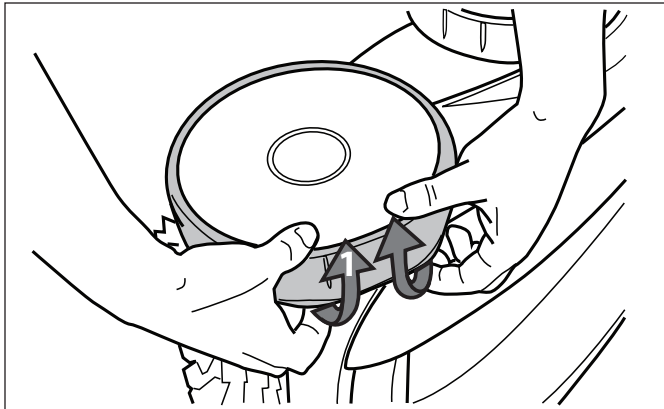


Figure 32. Pull the Old Tire Over the Wheel

2. Remove the old tire as shown in Figure 33.

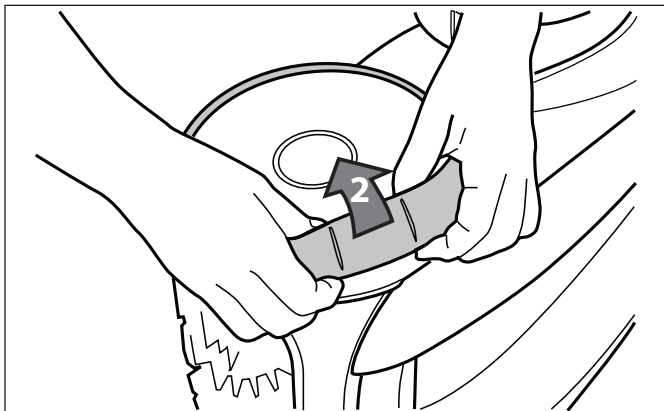


Figure 33. Remove the Old Tire

3. To replace the tire, position the tire on the wheel making sure to orient the tire so that the grooves are on the outer side of the wheel. See Figure 34.

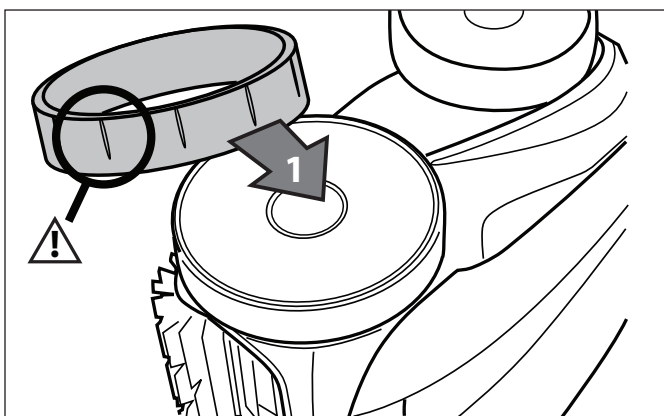


Figure 34. Tire Replacement Orientation

4. Push one side of the tire on to the wheel and fit the rib of the tire in the groove of the wheel as shown in Figure 35.

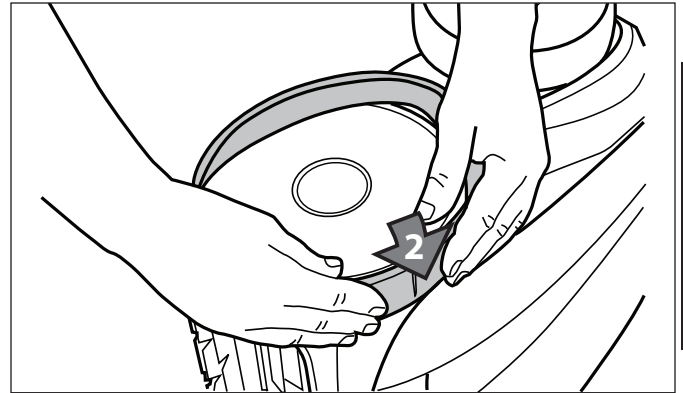


Figure 35. Start on One Side of the Tire

5. Work the tire onto the wheel and verify the rib of the tire is positioned properly within the groove of the wheel. Refer to Figure 36.

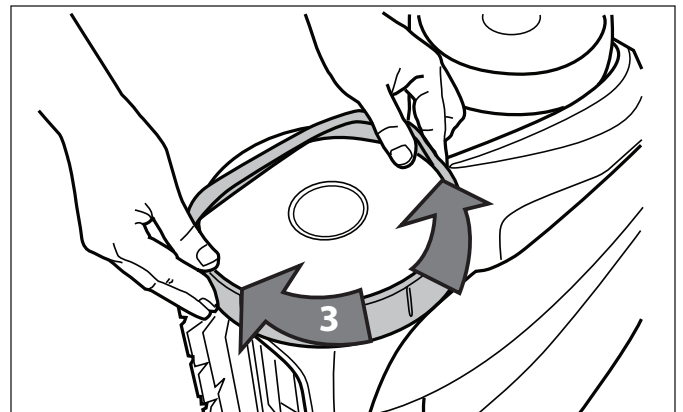


Figure 36. Work the Tire On Around the Wheel

6. Push and position the rib of the inner side of the tire in the groove of the wheel. Refer to Figure 37. If needed, turn the wheel gently to help with installation.

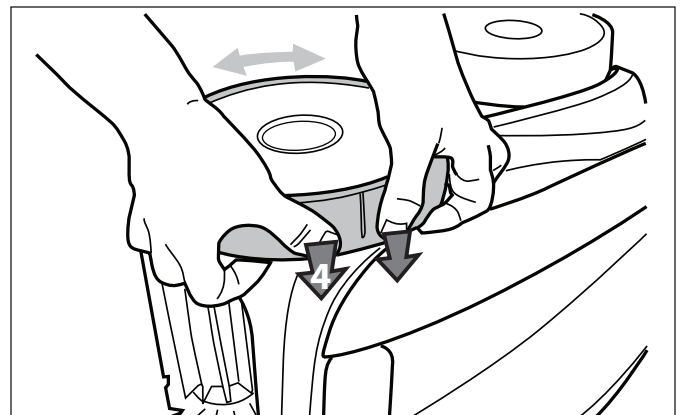


Figure 37. Push the Tire into Place on the Wheel

Section 6. Troubleshooting

6.1 General Troubleshooting

Table 1 lists some of the more common symptoms, causes and solutions encountered when using the cleaner. The unit employs flashing lights to indicate different issues on the power supply and on the cleaner. These indications are not necessarily major issues. To turn off the flashing light, press the power button. Then start a new cycle: If the flashing lights persist after completing troubleshooting, please contact your retailer. DO NOT open the power supply.

English

Symptom	Cause	Solution
The flashing indicator lights appear just after start (pressing the Power or Cycle button to start the cleaner) (< 20 seconds).	Ensure the floating cable is properly plugged into the power supply.	Unplug the floating cable from the power supply and plug it again properly.
	Ensure the cleaner is well submerged.	Submerge the cleaner following the procedure in Section 4.1, "Submerging the Cleaner".
	Cleaner needs to be reset and start new cycle.	Press the power button OFF and then Cycle I or II Program buttons to start new cycle.
	Propeller does not turn.	Please contact your local Polaris service representative.
	Wheels do not turn.	Please contact your local Polaris service representative.
The flashing lights appears during the cycle.	If the cleaner sucks air for 60 seconds, the flashing light appears.	Submerge the cleaner following the procedure in Section 4.1, "Submerging the Cleaner".
The cleaner does not stay firmly on the pool bottom.	There is air in the appliance casing.	Submerge the cleaner following the procedure in Section 4.1, "Submerging the Cleaner".
The cleaner does not or no longer climbs the pool sides.	The filter is full or dirty.	Clean the filter canister following the procedure Section 5.1, "Cleaning the Filter Canister".
	Sides of pool are slippery or slimy. Although the water seems clear, microscopic algae, invisible to the human eye, are present in the pool. As a result the pool sides become slippery and prevent the cleaner from climbing.	Do a shock chlorination treatment and slightly reduce the pH. DO NOT leave the cleaner in the pool during this treatment.
On startup the cleaner does not move.	Not supplied with electricity.	The outlet the power supply it is connected to is not supplying electrical power. Check that the outlet to which the power supply is connected is receiving electricity.
	Unit is turned ON.	Check that you have started one (1) of the two (2) programs and check that the indicator for the selected program is lit. If the problem persists, contact your local Polaris service representative.
The cycle I and II program indicators flash alternately.	Your cleaner has encountered a problem or a issue during its operation.	Disconnect the power supply and wait 20 seconds before reconnecting the power supply. Check that the cable is correctly connected to the power supply. Check that no debris impedes the rotation of the brushes and/or the propeller. Clean the filter. Start a new cleaning program. If the problem continues contact your local Polaris service representative.
The cleaner seems to be performing less efficiently.	The brushes have become smooth.	Replace the brushes following the procedure in Section 5.3, "Replacing the Brushes".
	Filter canister is full or dirty.	Clean the filter canister following the procedure in Section 5.1, "Cleaning the Filter Canister".
	Floating cable is excessively coiled or kinked.	Make sure the floating cable is spread out over the pool.

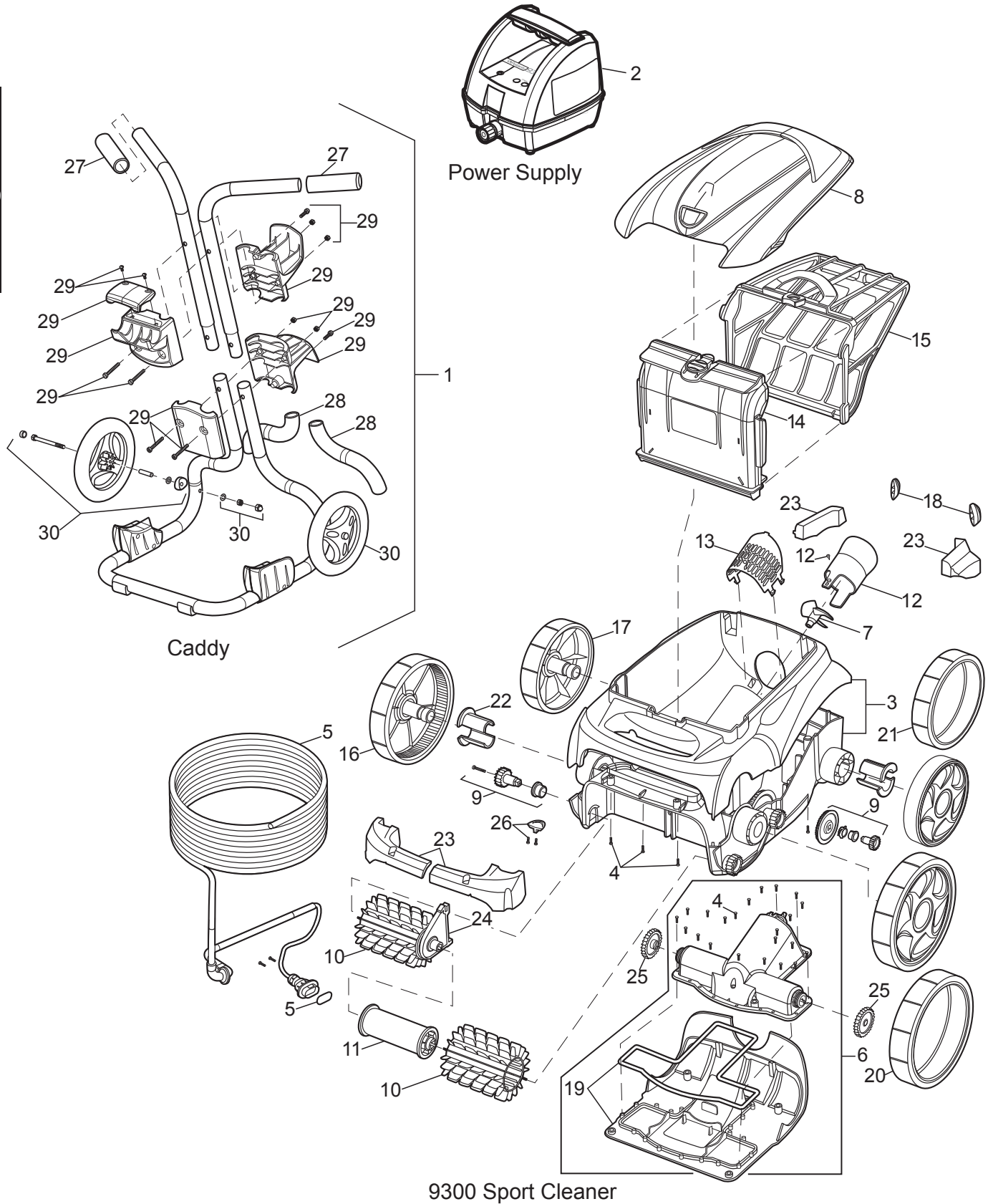
Section 7. Polaris 9300 Sport Exploded View and Replacement Parts List

7.1 Parts List

Key No.	Description	Qty.	Order Part No.
1	Caddy	1	R0516200
2	Power Supply, Complete	1	R0516500
3	Main Housing (Top & Bottom)	1	R0516600
4	Motor Block Screw Kit	22	R0516700
5	Cable (Floating)	1	R0516800
6	Motor Block	1	R0516900
7	Propeller	1	R0517000
8	Complete Cover	1	R0517100
9	Transmission Gear/Bushing (2 Sets)	1	R0517200
10	Brush Set (Set of 2)	1	R0517300
11	Roller Kit (Set of 2)	1	R0517400
12	Flow Outlet	1	R0517500
13	Flow Outlet Screen	1	R0517600
14	Filter Canister Support	1	R0517700
15	Filter Canister	1	R0517800
16	Front Wheel w/ Tire	1	R0517900
17	Rear Wheel w/ Tire	1	R0518000
18	Bumper w/ Roller Kit (Set of 2)	1	R0518100
19	Motor Housing Cover Kit (w/ O-ring)	1	R0518200
20	Front Tire	1	R0518300
21	Rear Tire	1	R0518400
22	Wheel Bushing (1 Set for Each Wheel)	1	R0518500
23	Float Kit (Set of 4 pieces)	1	R0518600
24	Brush Separator	1	R0518700
25	Drive Gear Kit	1	R0518800
26	Ramp Kit	1	R0519000
27	Caddy Handle Grip Kit	1	R0507300
28	Caddy Shoulder Grip Kit	1	R0516100
29	Power Supply Mounting Bracket Kit	1	R0507400
30	Wheel Kit, Caddy	1	R0507500

7.2 Exploded View

English



9300 Sport Cleaner

TL-1501 RevD



Conforms to UL 1081
Certified to CSA E63055-2-41

Zodiac Pool Systems, Inc.
2620 Commerce Way, Vista, CA, 92081 USA • 800.822.7933 FAX 877.327.1403

© 2010 Zodiac Pool Systems, Inc. 1002

Table des matières

Section 1.	Consignes de sécurité importantes	18	Section 5.	Service et entretien	24
Section 2.	Spécifications du robot 9300 Sport	20	5.1	Nettoyage du sac filtrant	24
2.1	Spécifications générales	20	5.2	Nettoyage et entreposage du robot	22
Section 3.	Assemblage et utilisation initiale	20	5.3	Remplacement de brosses.....	25
3.1	Déballage	20	5.4	Remplacement des pneus du robot	27
3.2	Assemblage du chariot de déplacement	20	Section 6.	Dépannage	27
3.3	Relier l'alimentation électrique au chariot	22	6.1	Dépannage général	28
3.4	Raccordements électriques	22	Section 7.	Polaris 9300 Sport Vue éclatée et liste de pièces de rechange	29
Section 4.	Fonctionnement	23	7.1	Liste des pièces	29
4.1	Immersion du robot	23	7.2	Vue éclatée	30
4.2	Faire fonctionner le robot	23			

NOUS VOUS REMERCIONS D'ACHETER LE ROBOT POLARIS 9300 SPORT.

VOTRE POLARIS 9300 SPORT A ÉTÉ CONÇU POUR ÊTRE INSTALLÉ FACILEMENT ET NE DEMANDER QU'UN MINIMUM DE MAINTENANCE ET D'ENTRETIEN. AVANT D'INSTALLER VOTRE NOUVEAU POLARIS 9300 SPORT, VEUILLEZ SUIVRE LES ÉTAPES SUIVANTES :

- 1) Remplir et renvoyer la carte de garantie.
- 2) Enregistrer votre information d'achat dans les espaces fournis ci-dessous.
- 3) Veuillez joindre votre facture (ou une copie) à cette page..

Pour assurer un service rapide dans la garantie, il est exigé de Si une réparation est requise, veuillez communiquer avec votre fournisseur initial. Si le vendeur initial ne remplit pas convenablement le service de garantie, veuillez visiter www.polarispool.com pour localiser une société de service indépendante près de chez vous. Si vous ne parvenez pas à localiser une société de maintenance, veuillez communiquer avec notre service du soutien technique au 800-822-7933.

ENREGISTREZ LES RÉFÉRENCES DE VOTRE ROBOT NETTOYEUR 9300 SPORT ICI :

Date d'Achat _____ Acheter de _____ Numéro de série : _____
(situé sur la tête de l'appareil)

Ville _____ État/Province _____ Code postal _____

Section 1. Consignes de sécurité importantes

Félicitations, vous venez d'acheter un robot nettoyeur Polaris 9300 Sport. Veuillez lire ce guide au complet avant d'installer votre nouveau robot de piscine. Votre robot doit être installé et opéré suivant ces directives.

LIRE ET SUIVRE TOUTES LES CONSIGNES

AVERTISSEMENT

Si les précautions suivantes ne sont pas observées, il y a risque de blessures graves, de choc électrique ou de noyade.

ÉVITEZ LES CHOCS ÉLECTRIQUES

Pour réduire le risque d'un choc électrique :

- Brancher l'appareil à la prise protégée par un disjoncteur de fuite à la terre (GFCI).
- Conformément au code électrique national des États-Unis (NEC), garder le bloc d'alimentation à une distance de 1,5 m (5 pi) du rebord l'eau de (piscine/spa) et ne pas le retirer de son chariot. Au Canada, le Code canadien de l'électricité (CEC) nécessite qu'une distance minimale de 3 m (10 pi.) soit maintenue entre le rebord de la piscine et le bloc d'alimentation. Ne jamais immerger le bloc d'alimentation électrique.
- Ne pas entrer dans la piscine lorsque le robot 9300 Sport est dans l'eau.
- Ne pas enterrer la corde Placer la corde afin de l'empêcher d'être endommagée par des tondeuses à gazon, des tailleuses de haie et tout autre équipement.
- Afin de réduire les risques de chocs électriques, ne pas utiliser le robot 9300 Sport ou l'alimentation si le fil est usé ou endommagé. Veuillez immédiatement communiquer avec Zodiac Pool Systems, Inc. pour un fil de rechange.
- Double isolation—Pour une protection permanente contre d'éventuels chocs électriques, utiliser uniquement des pièces de rechange identiques. Ne pas essayer de réparer lero fil d'alimentation ou le câble, flottant, du robot Sport 9300.
- NE JAMAIS OUVRIR LE BLOC D'ALIMENTATION ÉLECTRIQUE.
- Ne pas utiliser une rallonge afin de brancher l'appareil à l'alimentation; fournir une sortie adéquatement localisée. Le bloc d'alimentation sera placé près de la boîte de sortie.

ÉVITER QUE LES ENFANTS NE SE BLESSENT ET SE NOIENT

- Pour réduire le risque de blessure, ne pas permettre aux enfants d'utiliser ou de faire fonctionner ce produit.
- Ne pas laisser personne, surtout des jeunes enfants, s'asseoir, mettre le pied, s'appuyer sur ou monter sur des appareils faisant partie de notre système opérationnel de piscine.

ATTENTION

Le non-respect des avertissements suivants pourrait entraîner l'endommagement des équipements de la piscine ou des blessures personnelles.

- Le robot 9300 Sport doit être installé et exploité suivant les directives.
- Désactiver le 9300 Sport avant de le retirer de la piscine et ne pas le faire fonctionner hors de l'eau.
- Laisser le robot 9300 Sport dans la piscine pendant 15 minutes après la fin du cycle de nettoyage.
- Nettoyer le sac filtrant durobot 9300 Sport après chaque usage.
- Ne pas utiliser pas le robot si la température de l'eau de la piscine est supérieure à 35 °C (95 °F) ou inférieure à 13 °C (55 °F).

⚠ ATTENTION**USAGE DU ROBOT POLARIS 9300 SPORT DANS UNE PISCINE À SURFACE DE VINYLE**

Certains modèles de recouvrement en vinyle sont particulièrement susceptibles à une usure rapide de la surface causée par des objets entrant en contact avec la surface en vinyle, notamment une usure causée par les brosses de piscine, les jouets de piscine, les flotteurs, les fontaines, les flotteurs à chlore et les robots de piscine automatiques. Certains modèles de recouvrement en vinyle peuvent être sérieusement rayés ou éraflés lorsque leur surface est frottée avec une brosse de piscine. L'encre du modèle peut également s'effacer pendant le procédé d'installation ou quand elle entre en contact avec des objets dans la piscine. Zodiac Pool Systems, inc. n'est pas responsable de l'élimination du dessin, des coupures, des éraflures ou des inscriptions sur les recouvrements en vinyle et cette garantie ne couvre pas ces situations.

Section 2. Spécifications du robot 9300 Sport

2.1 Spécifications générales

Les spécifications générales pour le Polaris 9300 Sport sont les suivantes :

Tension d'alimentation de la boîte de contrôle :	100-125 V c.a., 60 Hz
Tension d'alimentation du Polaris 9300 :	28 V c.c.
Charge installée :	150 W max
Longueur du câble :	18 m (60 pi)
Taille du robot (LxPxH) :	43 x 48 x 27 cm (16,9 x 18,9 x 10,6 po)
Taille de la boîte (LxPxH) :	58 x 58 x 59 cm (22,8 x 22,8 x 23,2 po)
Poids du robot :	11,3 kg (25 lb)
Poids emballé :	19 kb (42 lb)
Capacité de filtration :	100 microns
Longueurs de cycles :	1,30 heures, 2,30 heures

Le Polaris 9300 est un produit à double isolation. Un appareil électrique à double isolation est conçu de telle sorte qu'il n'est pas nécessaire d'assurer l'installation avec une prise mise à la terre. La condition nécessaire pour que la double isolation soit efficace est qu'aucune panne ne puisse résulter de l'exposition d'une tension dangereuse, pouvant causer un choc électrique. La manière de satisfaire cette condition est de ne pas faire confiance à un cuvelage de métal mis à la terre. Cela est possible avec deux couches de matériel isolant entourant les parties sous tension ou en utilisant une isolation renforcée. Par conséquent, les appareils à double isolation, tel que le robot Polaris 9300, n'utilisent pas un fil/une prise mis(e) à la terre (avec deux fiches et une broche de mise à la terre).

Section 3. Assemblage et utilisation initiale

3.1 Déballage

Les articles suivants devraient se trouver dans la boîte : (Se référer à la Figure 1) :

- Robot 9300 Sport
- Un bloc d'alimentation
- Chariot pour déplacement et entreposage (inclus avec les composants d'assemblage)

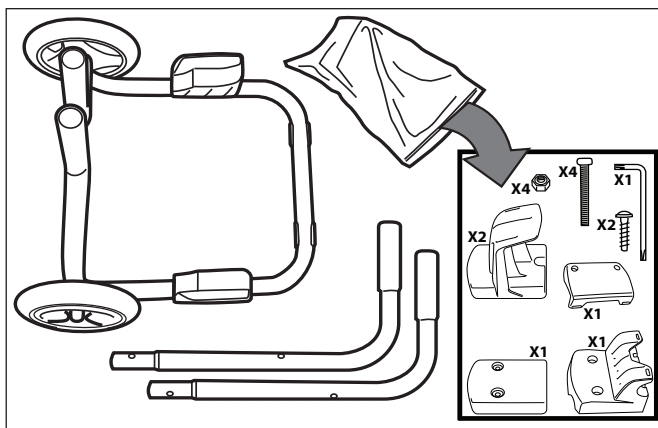


Figure 1. Composants du Polaris 9300 Sport

Vérifiez que le robot n'a pas été endommagé lors du transport. S'il a été endommagé, communiquer avec la société Zodiac Pool Systems, inc. au 800-822-7933 avant d'utiliser votre Robot 9300 Sport.

Procéder au déballage du robot 9300 Sport et de ses composants comme suit :

1. Enlever la partie inférieure du chariot avec les crochets d'alimentation supérieurs et inférieurs du câble, le crochet d'alimentation, la plaque du crochet du câble d'alimentation, la plaque de verrouillage, les écrous, les boulons et les vis.
2. Retirer la petite boîte qui contient le bloc d'alimentation.
3. Retirer les poignées (gauche et droite) du chariot se trouvant d'un côté de la boîte.
4. Sortir le robot de la boîte.

3.2 Assemblage du chariot de déplacement

1. Placer le crochet du câble d'alimentation et le crochet d'alimentation dans les tubes supérieurs comme illustré à la Figure 2. Assurez-vous que les tubes supérieurs (poignées) sont bien orientés.

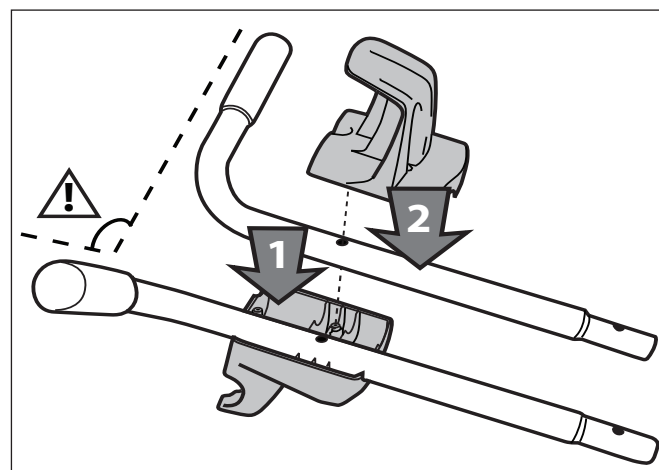


Figure 2. Installer les crochets sur les poignées supérieures

- Fixer le crochet du câble d'alimentation et le crochet d'alimentation autour des tubes en utilisant une vis et serrer à la main avec la clé Torx® (fournie avec l'appareil). Se référer à la figure 3.

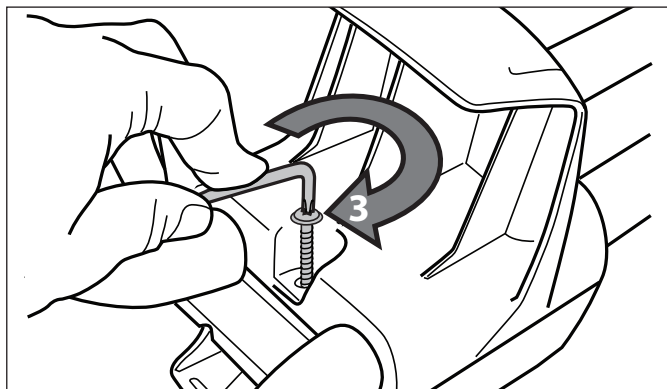


Figure 3. Installer le crochet du câble et le crochet de l'alimentation électrique

- Fixer le crochet d'alimentation en utilisant deux (2) boulons et deux (2) écrous et serrer avec la clé Torx. Se référer à la figure 4.

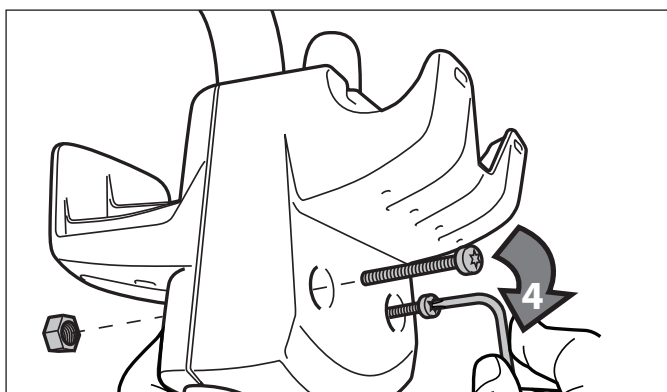


Figure 4. Bien fixer les poignées

- Insérer les tubes supérieurs (poignées) dans les tubes inférieurs du chariot comme illustré à la Figure 5. S'assurer que les tubes supérieurs (poignées) sont bien orientés et aligner les trous de vissage.

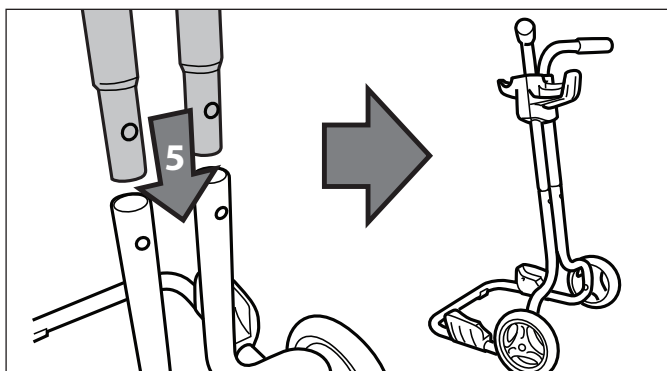


Figure 5. Installer les poignées

- Placer le crochet du câble d'alimentation inférieur comme illustré à la Figure 6. Placer la plaque du crochet du câble face au crochet du câble d'alimentation. Fixer en utilisant une vis et serrer avec la clé Torx. Se référer à la figure 7.

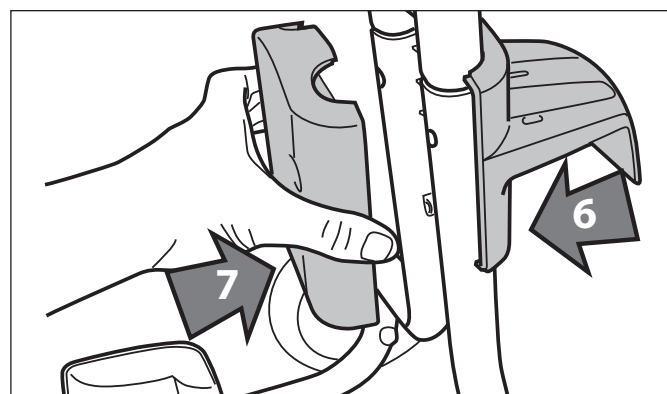


Figure 6. Positionner le bas de la plaque du crochet de câble

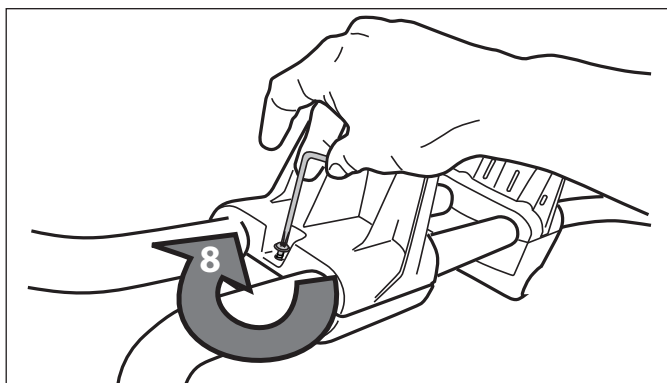


Figure 7. Bien accrocher le bas de la plaque du crochet de câble

- Fixer la plaque du crochet du câble en utilisant deux (2) boulons et deux (2) écrous et serrer avec la clé Torx. Se référer à la figure 8. Le chariot de déplacement est déjà prêt à être utilisé comme illustré à la Figure 9.

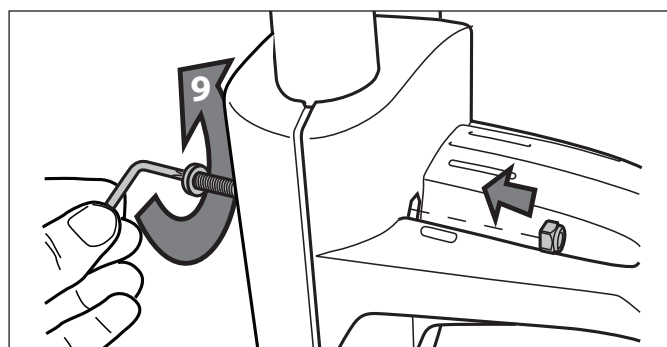


Figure 8. Bien fixer la plaque du crochet de câble

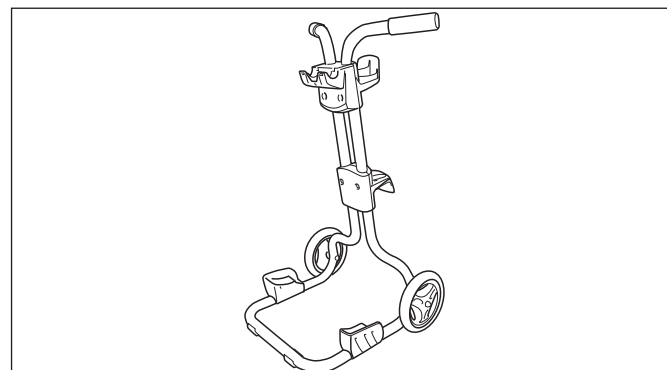


Figure 9. Transport et stockage du chariot assemblé

3.3 Relier l'alimentation électrique au chariot

1. Placer le bloc d'alimentation par-dessus le crochet d'alimentation sur le chariot.
2. Glisser les pinces de la plaque de verrouillage dans le crochet de contrôle et aligner avec les trous de vissage. Se référer à la figure 10.

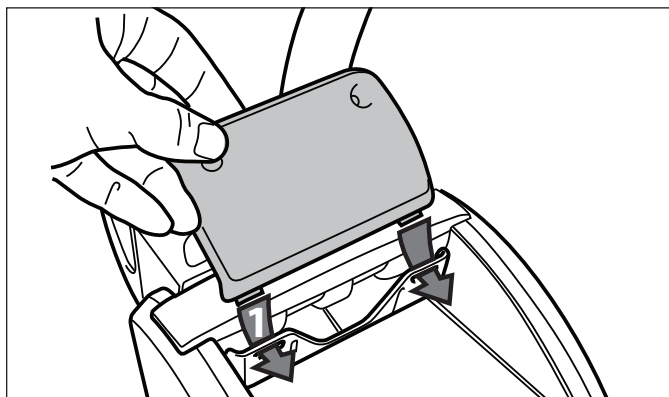


Figure 10. Positionner les pinces des plaques de verrouillage

3. Fixer la plaque de verrouillage avec des vis cruciformes. Ne pas trop serrer. Se référer à la figure 11.

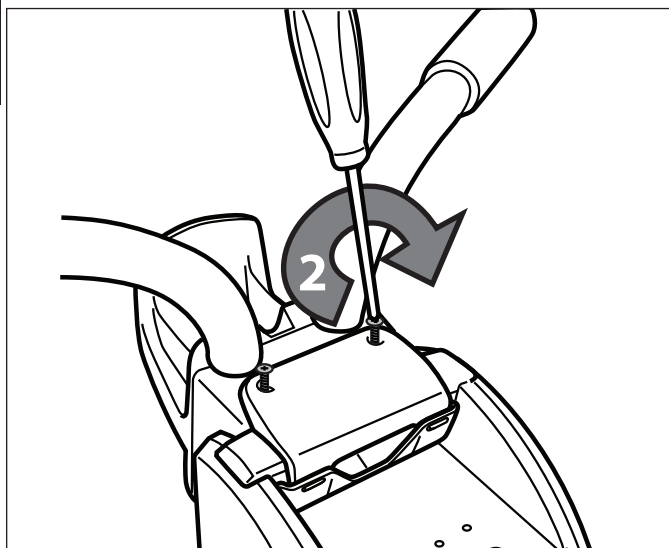


Figure 11. Bien fixer les plaques de verrouillage

3.4 Raccordements électriques

⚠ AVERTISSEMENT

Si les précautions suivantes ne sont pas observées, il y a risque de blessures graves, de choc électrique ou de noyade.

ÉVITEZ LES CHOCS ÉLECTRIQUES

- Garder le bloc d'alimentation électrique au moins à 1,5 mètres (5 pieds) du bord de la piscine (Au Canada, 3 m (10 pieds) selon les conditions de la CEC). Ne jamais immerger le bloc d'alimentation électrique.
- Brancher le bloc d'alimentation seulement à une prise protégée par un disjoncteur de fuite à la terre (GFCI). Consultez un électricien certifié s'il y a doute.
- N'utilisez pas un cordon de rallonge afin de brancher le robot au bloc d'alimentation.
- Ne pas permettre à quiconque de se baigner lorsque le robot 9300 Sport est dans la piscine.

Pour votre sécurité et pour obtenir le meilleur rendement possible de votre robot 9300 Sport, brancher le câble flottant du robot au bloc d'alimentation électrique et enfilez le connecteur jusqu'à ce qu'il soit serré. Ne pas trop serrer. Se référer à la figure 12.

IMPORTANT :

- Le bloc d'alimentation électrique du 9300 Sport est équipé d'une option automatique de désactivation pour éviter une surchauffe si l'appareil fonctionne sous le soleil pendant une longue période.
- Le bloc d'alimentation électrique du 9300 Sport est résistant à l'eau, mais il n'est pas imperméable. Par conséquent, ne jamais immerger le bloc d'alimentation.

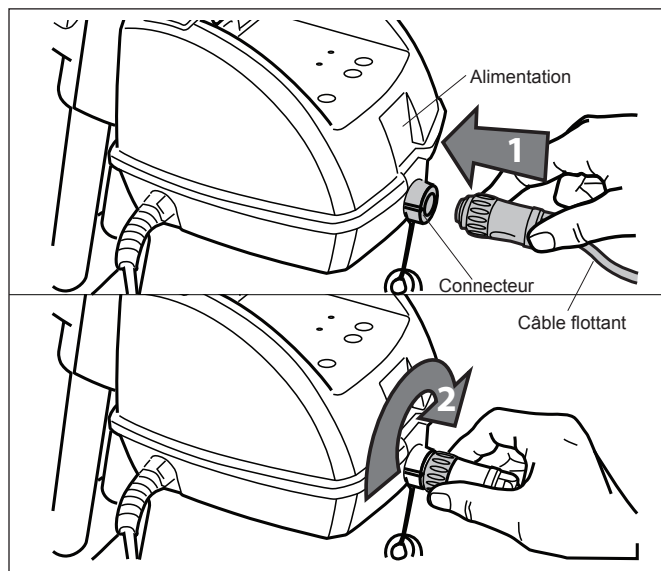


Figure 12. RACCORDEMENT ÉLECTRIQUE

Section 4. Fonctionnement

4.1 Immersion du robot

1. Immerger le robot dans l'eau de la piscine et dégager tout l'air se trouvant à l'intérieur en plaçant l'appareil en direction à la verticale. Se référer à la figure 13.

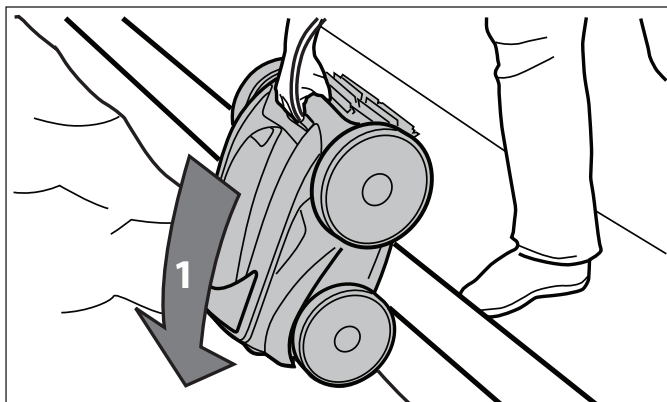


Figure 13. Immerger le robot verticalement

2. Assurez-vous que le robot descend jusqu'au fond de la piscine. Se référer à la figure 14.

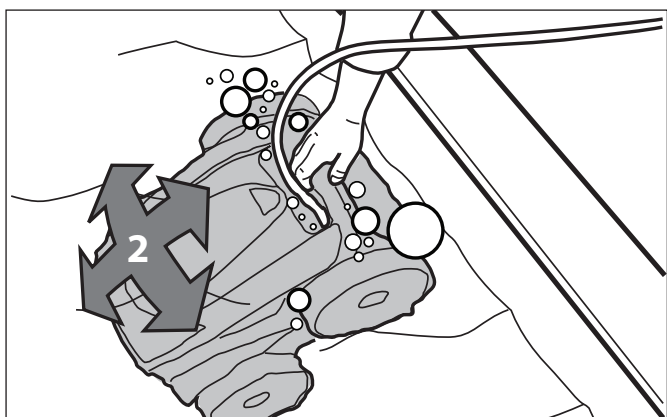


Figure 14. Robot au fond de la piscine

3. Étendre le câble flottant sur l'eau de la piscine et s'assurer que le câble n'est pas noué ni emmêlé. Se référer à la Figure 15.

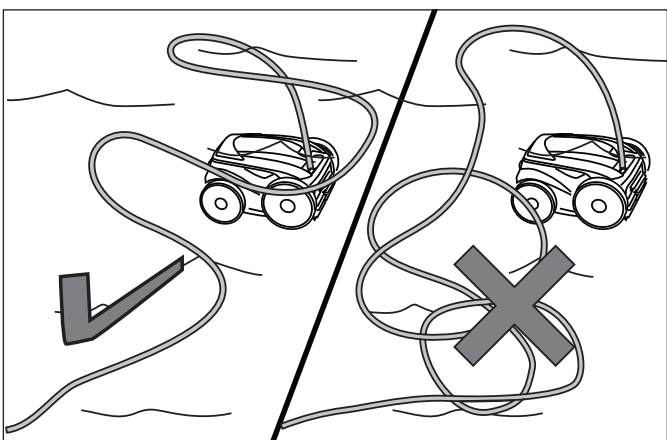


Figure 15. Étendre le câble sur la piscine

4.2 Faire fonctionner le robot

Choisir le programme de nettoyage du Cycle I ou Cycle II sur le bloc d'alimentation :

Programme du Cycle I	Programme du Cycle II
• Accompli en 1,5 heures	• Accompli en 2,5 heures
• Couverture maximale dans un délai minimal	• Nettoyage complet et en profondeur
	• Nettoyage complet de la tuile

1. Démarrer le robot 9300 Sport en appuyant sur le bouton qui active le programme de nettoyage « Cycle I ». Le « Cycle I » de nettoyage est le cycle de nettoyage principal pour les piscines creusées. Si un cycle alternatif est souhaité, appuyer « Cycle II ». Se référer à la Figure 16. Le voyant du cycle choisi s'allume et le robot démarre après quelques secondes. Quand le robot est ACTIVÉ, il restera en état d'alerte jusqu'à ce que le bouton du Cycle I soit appuyé.

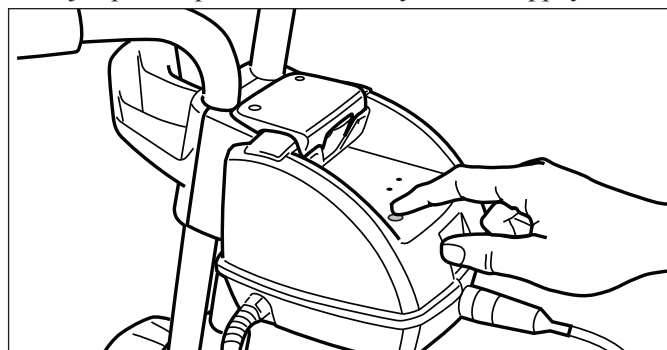


Figure 16. Démarrer le robot

2. Lorsque vous sélectionnez le bouton du programme du Cycle I, le voyant de signalisation supérieur s'allumera. Le robot démarrera en quelques secondes.
3. Pour changer le cycle de nettoyage choisi, appuyer sur le bouton de nouveau cycle pour le faire démarrer en quelques secondes.
4. Afin d'arrêter le robot pendant un cycle de nettoyage, appuyer sur le bouton « ARRÊT ». Se référer à la Figure 17.
5. À la fin du cycle, le robot s'arrête et après 15 minutes le voyant clignote lentement pour vous indiquer que le cycle est terminé.

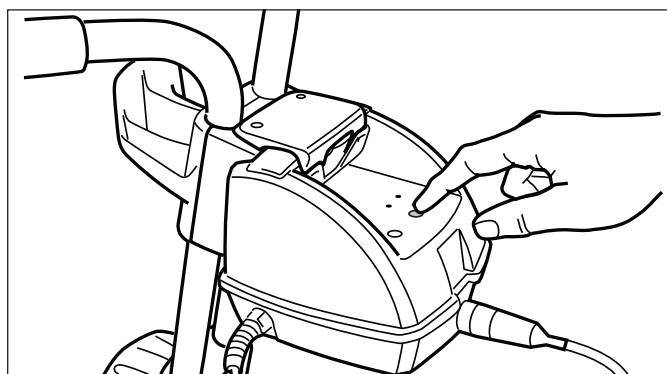


Figure 17. Éteindre le robot

6. Le robot 9300 Sport est muni d'un dispositif sécuritaire qui l'arrête automatiquement après 20 secondes lorsqu'il est activé, mais n'est pas immergé. Pour les piscines avec plage, ce délai permet au robot d'opérer à reculons jusqu'à la piscine lorsque l'hélice est hors de l'eau.
7. Débrancher le cordon d'alimentation de la prise.
8. Débrancher le câble du bloc d'alimentation.
9. **À la fin du cycle, enrouler le câble flottant à partir du robot jusqu'à la prise pour le bloc d'alimentation. Redressez le câble au fur et à mesure.**

⚠ ATTENTION

Pour empêcher des dommages à votre Sport 9300, suivre les directives suivantes :

- Environ 15 minutes après la fin du cycle, la lumière située sur le bloc d'alimentation clignotera lentement pour indiquer que le robot peut être enlevé de la piscine. La période de 15 minutes permet au moteur de refroidir, évitant ainsi d'endommager le robot.
- Retirer le robot 9300 Sport de la piscine, une fois la fin du cycle de nettoyage et ranger le chariot.
- Ne jamais soulever le robot 9300 Sport hors de la piscine en tirant par le câble flottant. Utiliser toujours la poignée pour l'enlever de la piscine. Se référer aux Figures 18 et 19.
- Retirer le robot 9300 Sport de la piscine lors de la surchlorination.

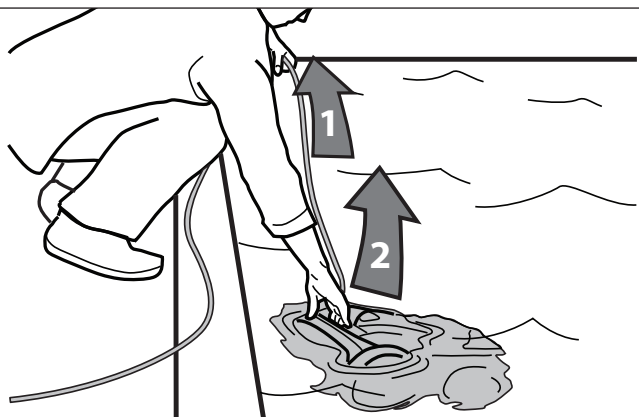


Figure 18. Sortir le robot de la piscine

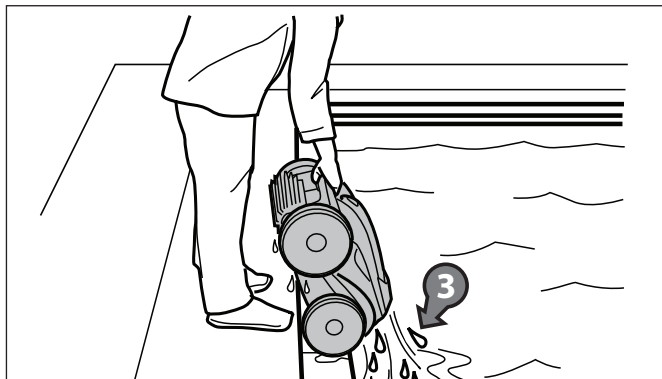


Figure 19. Garder le robot en position verticale pour vider l'eau

IMPORTANT:

- Utiliser votre robot 9300 Sport aussi souvent que nécessaire pour maintenir votre piscine propre.
- Nettoyer le sac filtrant après chaque cycle de nettoyage.
- Ne pas laisser le robot dans la piscine en permanence.
- Après chaque cycle, retirer le robot de la piscine. Commencer à la tête du robot et démêler tous les noeuds dans le tuyau avant d'entreposer le robot.

Section 5. Service et entretien

⚠ AVERTISSEMENT

Pour éviter une décharge électrique et d'autres risques qui pourraient avoir comme conséquence des blessures permanentes ou même la mort, déconnecter (débrancher) le robot de l'alimentation avant de réaliser le nettoyage et l'entretien.

5.1 Nettoyage du sac filtrant

Nettoyer le sac filtrant à la fin de chaque cycle.

1. S'assurer que le cordon souple a été débranché de la prise de courant ou que le câble flottant a été débranché du bloc d'alimentation.
2. Enlever le robot de l'eau et laisser l'eau restante vidanger en maintenant le robot à la verticale.
3. Placer l'appareil sur ses roues.
4. Pour enlever le filtre du robot, suivre les étapes 1 à 6 (Figures 20 à 23).
5. Appuyer sur le verrou du couvercle (1) et soulever le couvercle (2) jusqu'à ce qu'il soit fixé en position verticale. Se référer à la Figure 20.

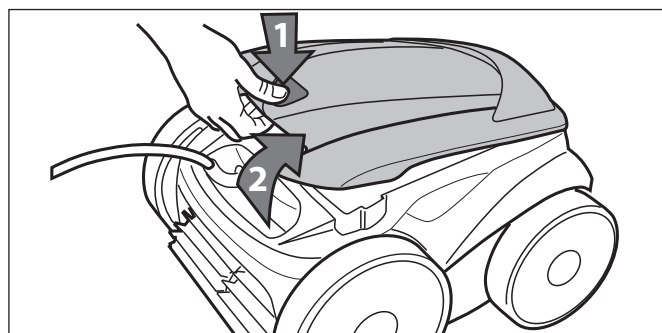


Figure 20. Soulever le couvercle du robot

6. Enlever l'ensemble du filtre du corps (3), comme illustré à la Figure 21.
7. Appuyer sur le bouton de déverrouillage rapide de l'assemblage du sac métallique (4) et retirer l'ensemble filtre pour l'ouvrir (5). Se référer à la Figure 22.
8. Séparer le sac filtrant du support du filtre (6), comme illustré à la Figure 23.
9. Laver le sac filtrant, le support du filtre et le robot sous l'eau ou à l'aide d'un tuyau (7). Se référer à la Figure 24.

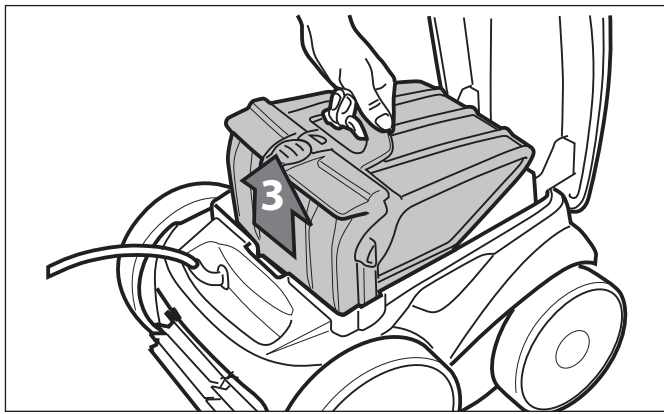


Figure 21. Retirer l'assemblage du filtre

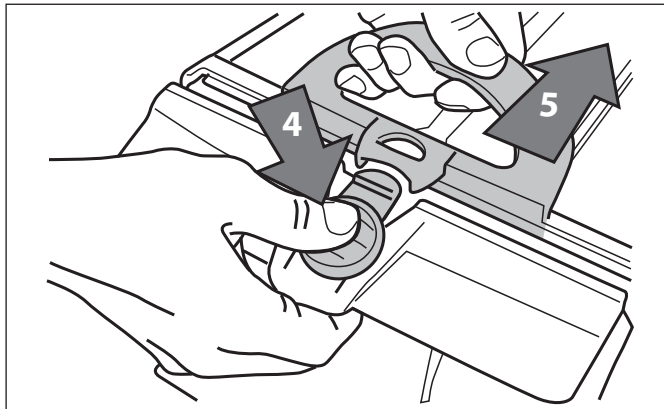


Figure 22. Ouvrir le sac filtrant

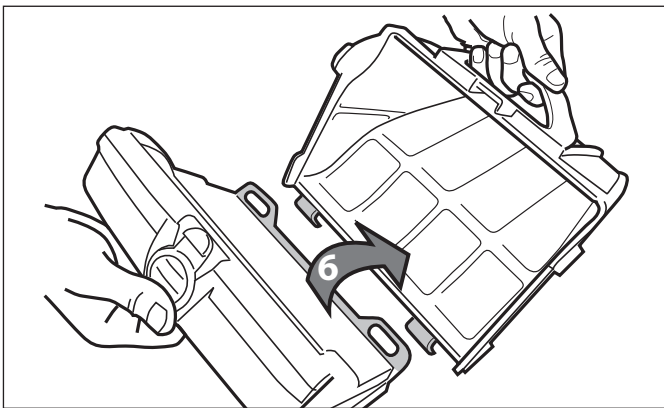


Figure 23. Retirer le sac filtrant

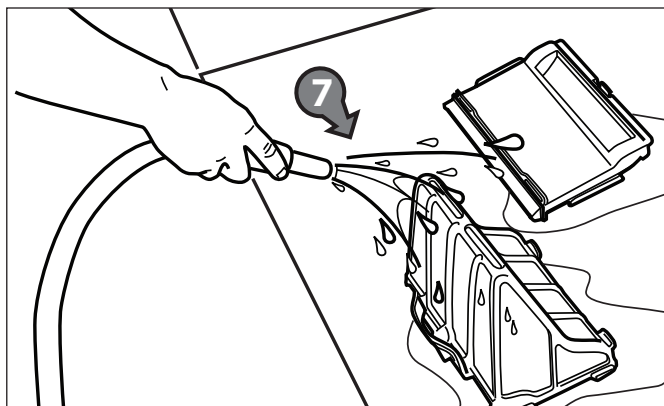


Figure 24. Laver le sac filtrant

5.2 Nettoyage et entreposage du robot

Le robot doit être nettoyé régulièrement en utilisant de l'eau propre légèrement savonneuse; ne pas utiliser de solvants, tel que le trichloréthylène ou son équivalent. Rincer le robot abondamment en utilisant à l'eau propre. Ne pas laisser votre robot sécher à la lumière directe du soleil près de la piscine. Le robot doit être rangé sur son propre chariot, de sorte qu'il sèche rapidement.

1. Placer les roues arrière sur les cales du côté du chariot comme illustré à la Figure 25.



Figure 25. Positionner le robot sur le chariot

2. Remettre l'appareil en place en le roulant sur le chariot. Se référer à la Figure 26.

REMARQUE : Le câble du robot doit être débranché de la boîte de contrôle avant d'enlever le robot de la piscine. Enrouler le câble du robot autour des crochets situés à l'arrière du chariot.

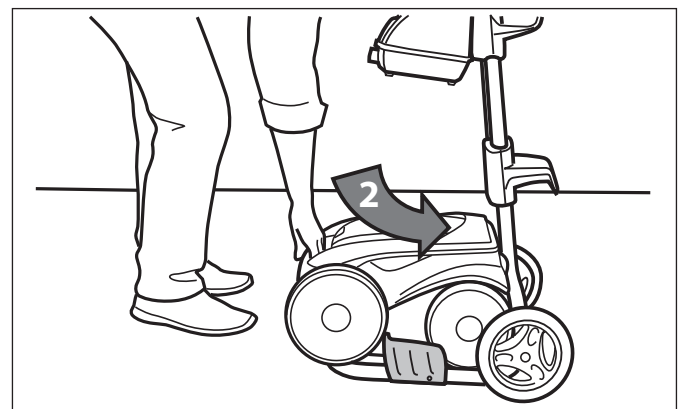


Figure 26. Installer correctement le robot sur le chariot

5.3 Remplacement de brosses

Le robot est équipé des brosses de PVC. Il y a des indicateurs « d'usure » sur les brosses. Pour maintenir la performance du robot, il faut remplacer les brosses dès qu'un des indicateurs d'usure est atteint (même si l'usure de la lame n'est pas uniforme). Polaris suggère de remplacer les brosses chaque deux (2) ans.

1. Soulever le robot en position verticale de sorte que la poignée soit vers le haut. Se référer à la Figure 27.

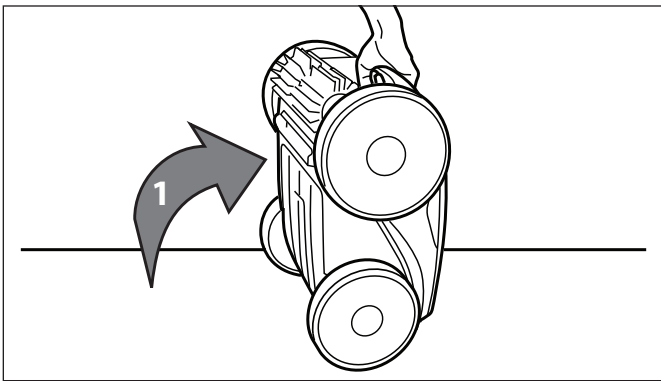


Figure 27. Nettoyer l'appareil en position debout

2. Séparer les bords de la brosse et défaire les onglets, comme suggère le Figure 28. Retirer les brosses usées.

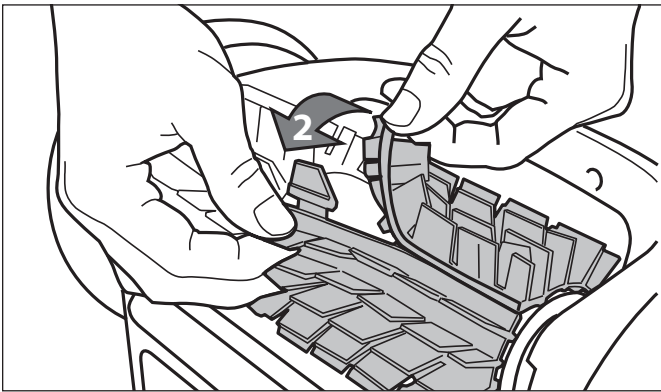


Figure 28. Défaire les pinces de fixation des brosses

3. Pour installer une nouvelle brosse, placer la nouvelle brosse sur le rouleau avec les pointes vers le bas. Se référer à la Figure 29.

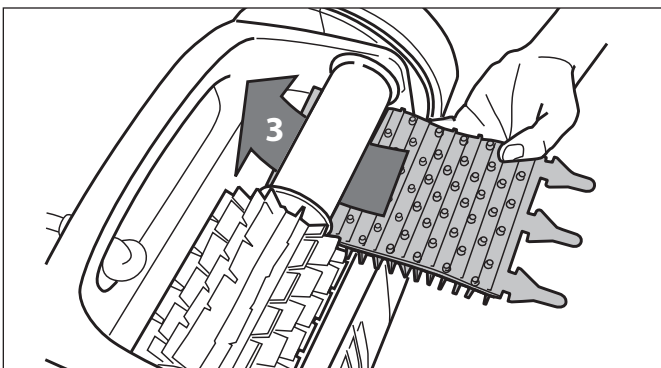


Figure 29. Installer les nouvelles brosses

4. Fileter doucement chaque onglet à travers la fente fournie, de manière à ce que le talon sorte sur l'autre côté de l'ouverture. Se référer à la Figure 30.

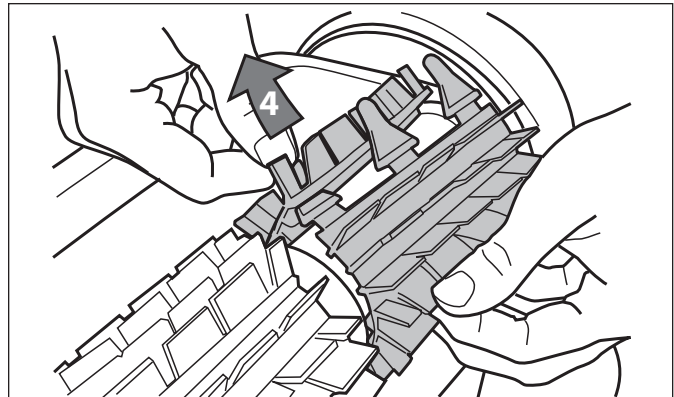


Figure 30. Insérer les pinces de fixation dans chaque fente

5. Utiliser des ciseaux pour couper les onglets à 3/4 pouce du talon, de sorte qu'ils ne soient pas plus haut que les pointes, comme illustré à la Figure 31.
6. Répéter cette procédure pour installer la deuxième brosse.

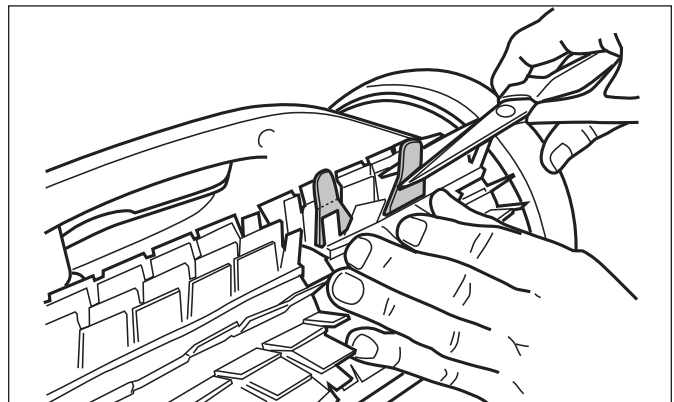


Figure 31. Couper les pinces de fixation

5.4 Remplacement des pneus du robot

1. Tirer dans l'intérieur du vieux pneu pour enlever le pourtour du pneu de la roue. Se référer à la Figure 32.

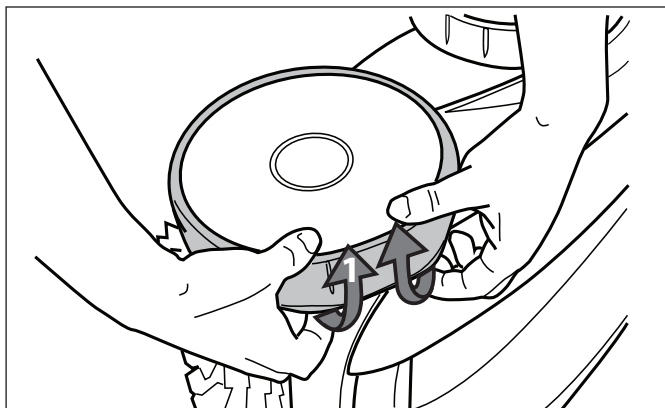


Figure 32. Détacher le pneu usé de la roue

2. Enlever le vieux pneu comme illustré à la Figure 33.

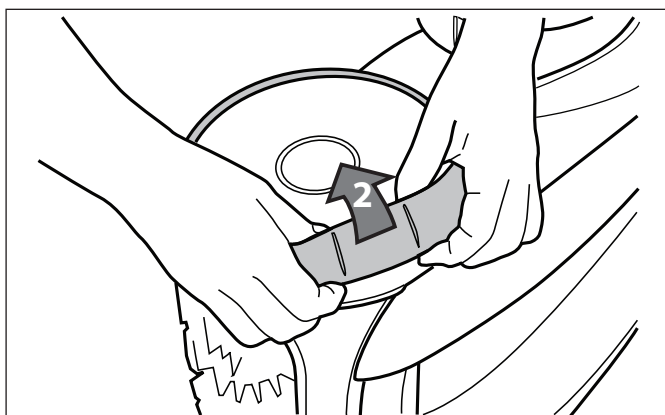


Figure 33. Retirer le pneu usé

3. Pour remplacer le pneu, placer le pneu sur la roue et l'orienter de sorte que les rainures soient du côté externe de la roue. Se référer à la Figure 34.

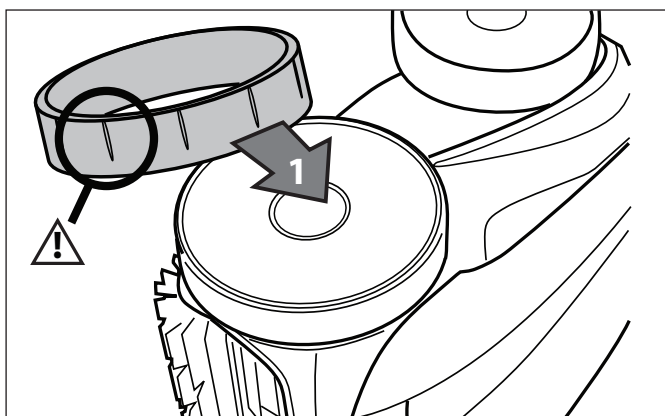


Figure 34. Sens pour remettre un pneu

4. Pousser un côté du pneu dans la roue et mettre la nervure du pneu dans la rainure de la roue, comme illustré à la Figure 35.

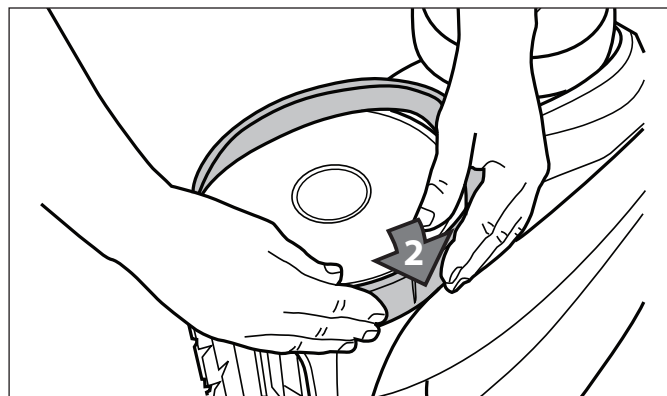


Figure 35. Commencer par un côté du pneu

5. Continuer à insérer le pneu dans la roue et vérifier que la nervure du pneu est placée correctement dans la rainure de la roue. Se référer à la Figure 36.

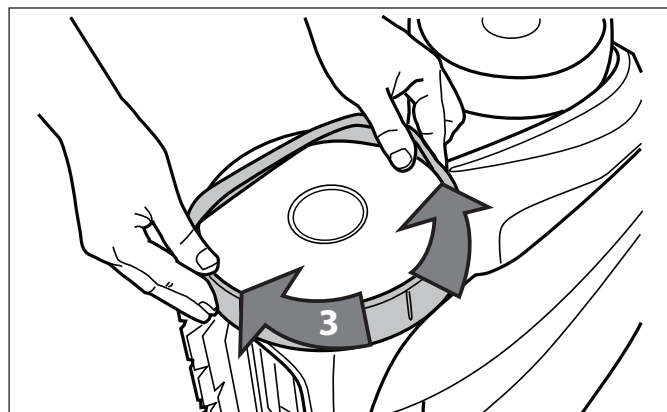


Figure 36. Étirer le pneu autour de la roue

6. Pousser et placer la nervure du côté intérieur du pneu dans la rainure de la roue. Se référer à la Figure 37. Au besoin, faire tourner la roue doucement pour aider avec l'installation.

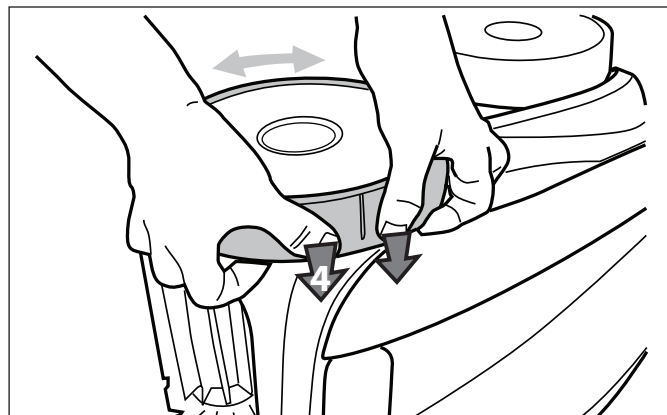


Figure 37. Remettre le pneu sur la roue

Section 6. Dépannage

6.1 Dépannage général

Le tableau 1 liste quelques-uns des symptômes courants pouvant être rencontrés lors du fonctionnement du robot et indique leurs causes et les solutions. L'appareil utilise des lumières clignotantes pour signaler les différents problèmes pouvant survenir au niveau de l'alimentation électrique et du robot. Ces lumières ne signalent pas forcément des problèmes graves. Pour éteindre les lumières clignotantes, appuyer sur le bouton. Puis démarrer un nouveau cycle : si les lumières clignotantes clignotent toujours après que l'incident ait été résolu, communiquer avec le revendeur. NE PAS ouvrir le bloc d'alimentation électrique.

SYMPTÔME	Cause	Solution
Les lumières clignotantes s'allument juste après le démarrage (en appuyant sur ON ou sur le bouton d'un cycle pour démarrer le robot) (<20 secondes).	S'assurer que le câble flottant est bien relié à l'alimentation électrique.	Débrancher le câble flottant et le rebrancher à nouveau correctement.
	S'assurer que le robot est bien immergé.	Immersion du robot d'après la procédure Section 4.1 « Immersion du Robot ».
	Le robot a besoin d'être réinitialisé et de démarrer un nouveau cycle.	Appuyer sur le bouton OFF puis sur les boutons programme Cycle I ou II pour débiter un nouveau cycle.
	L'hélice ne tourne pas.	Veillez communiquer avec votre représentant de service autorisé.
	Les roues ne tournent pas.	Veillez communiquer avec votre représentant de service autorisé.
Les lumières clignotantes clignotent pendant le cycle.	Si le robot aspire de l'air pendant 60 secondes, une lumière clignotante s'allume.	Immersion du robot d'après la procédure Section 4.1 « Immersion du Robot ».
Le robot ne tient pas fermement en position au fond de la piscine.	Il y a de l'air dans le boîtier de l'appareil.	Immersion du robot d'après la procédure Section 4.1 « Immersion du Robot ».
Le robot ne remonte pas ou plus les parois de la piscine.	Le sac filtrant est plein ou sale.	Nettoyer le sac filtrant en suivant la procédure Section 5.1, « Nettoyage du sac filtrant ».
	Les parois de la piscine sont glissantes ou gluantes. Même si l'eau semble claire, des algues microscopiques, invisibles à l'œil nu, sont présentes dans la piscine. Les parois de la piscine deviennent alors glissantes et empêchent le robot de grimper.	Effectuer un traitement choc de chlorination et réduire légèrement le pH. RETIRER le robot de la piscine pendant ce traitement.
Le robot nettoyeur ne bouge pas au démarrage.	Il n'est pas alimenté.	La prise où est branché le courant électrique ne conduit pas d'électricité. Vérifier que la prise où est branché l'appareil conduit bien de l'électricité.
	Le système est activé (ON).	Vérifiez que vous avez démarré un (1) des deux (2) programmes et que l'indicateur du programme sélectionné est allumé. Si le problème persiste, communiquer avec votre représentant au service Polaris.
Les indicateurs des programmes cycle I et II s'allument successivement.	Votre appareil a rencontré un problème ou un incident pendant qu'il fonctionnait.	Débrancher le courant électrique, attendre 20 secondes puis rebrancher à nouveau l'appareil. Vérifier que le câble est correctement connecté à la source d'alimentation. Assurez-vous qu'aucun résidu n'empêche les brosses ou/et l'hélice de tourner correctement. Nettoyer le filtre. Lancer un nouveau programme de nettoyage. Si le problème persiste, veuillez communiquer avec le représentant local de Polaris.
Le robot semble moins efficace.	Les brosses se sont aplaties.	Replacer les brosses selon la procédure décrite Section 5.3 « Remplacement de brosses ».
	Sac filtrant plein ou sale	Nettoyez le sac filtrant en suivant les étapes décrites sections 5.1 « Nettoyage du sac filtrant ».
	Le câble flottant est excessivement enroulé ou déformé.	Assurez-vous que le câble flottant est bien déployé hors de la piscine.

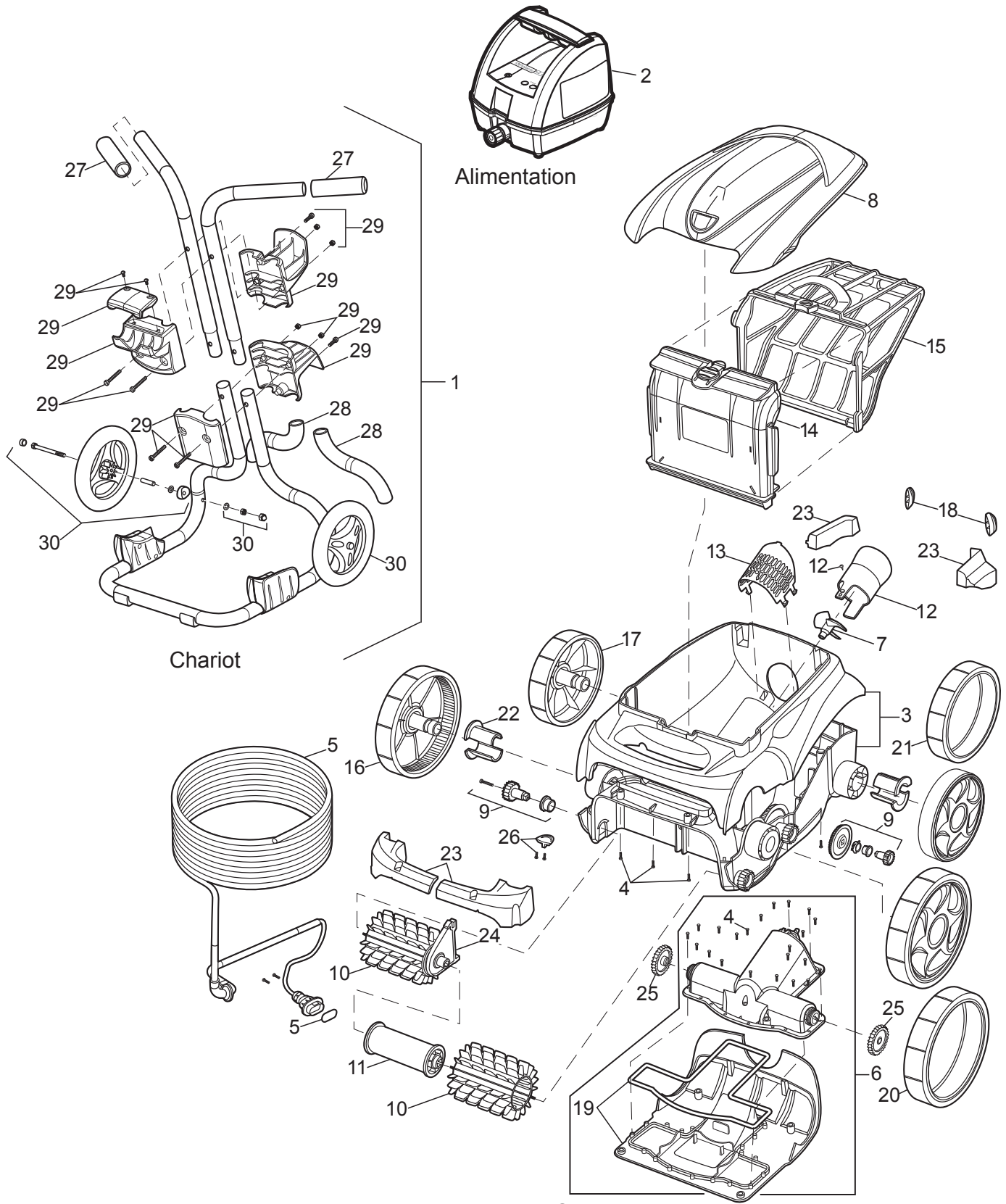
Section 7. Polaris 9300 Sport Vue éclatée et liste de pièces de rechange

7.1 Liste des pièces

No	Description	Qté.	Pièce n°
1	Chariot	1	R0516200
2	Alimentation électrique, complète	1	R0516500
3	Boîtier principal (Haut & Bas)	1	R0516600
4	Ensemble de vis du bloc du moteur	22	R0516700
5	Câble (Flottant)	1	R0516800
6	Bloc du moteur	1	R0516900
7	Hélice	1	R0517000
8	Couvercle complet	1	R0517100
9	Bras/manchon de transmission (2 Jeux)	1	R0517200
10	Jeux de brosse (2 jeux)	1	R0517300
11	Ensemble rouleau (2 jeux)	1	R0517400
12	Sortie d'écoulemen	1	R0517500
13	Ecran sortie d'écoulement	1	R0517600
14	Support du sac filtrant	1	R0517700
15	Sac filtrant	1	R0517800
16	Roue avant avec pneu	1	R0517900
17	Roue arrière avec pneu	1	R0518000
18	Butoir avec ensemble de rouleau (2 jeux)	1	R0518100
19	Ensemble du couvercle moteur (avec joint torique)	1	R0518200
20	Pneu avant	1	R0518300
21	Roue arrière	1	R0518400
22	Manchon roue (1 jeu pour chaque roue)	1	R0518500
23	Ensemble de flottaison (Jeu de 4 éléments)	1	R0518600
24	Séparateur brosse	1	R0518700
25	Ensemble axe de roue	1	R0518800
26	Ensemble rampe	1	R0519000
27	Ensemble de poignets chariot	1	R0507300
28	Ensemble de poignets épaulement chariot	1	R0516100
29	Ensemble du support de fixation d'alimentation	1	R0507400
30	Ensemble de roue, chariot	1	R0507500

7.2 Vue éclatée

Français



Robot 9300 Sport

TL-1501 RevD



Conforms to UL 1081
Certified to CSA E63055-2-41

Zodiac Pool Systems, Inc.
2620 Commerce Way, Vista, CA, 92081 USA • 800.822.7933 FAX 877.327.1403

© 2010 Zodiac Pool Systems, inc. 1002

Sección 1.	Importantes instrucciones	32	Sección 5.	Limpieza y mantenimiento	38
Sección 2.	Especificaciones del Polaris 9300 Sport	34	5.1	Limpieza del porta filtro	38
2.1	Especificaciones generales.....	34	5.2	Limpieza y conservación del limpiafondos	39
Sección 3.	Armado y uso inicial.....	34	5.3	Cambio de los cepillos	39
3.1	Desempaque	34	5.4	Cambio de los neumáticos del limpiafondos	41
3.2	Armado del carrito de transporte	34	Sección 6.	Diagnóstico de averías	42
3.3	Conexión de la fuente de energía para el carrito	36	6.1	Diagnóstico de averías general.....	42
3.4	Conexión eléctrica.....	36	Sección 7.	Polaris 9300 Sport vista ampliada y lista de repuestos	43
Sección 4.	Operación	37	7.1	Lista de repuestos	43
4.1	Sumerjiendo el limpiafondos	37	7.2	Vista Ampliada.....	44
4.2	Funcionamiento del limpiafondos...37				

MUCHAS GRACIAS POR LA COMPRA DE SU NUEVO Limpiafondos POLARIS 9300 SPORT. EL POLARIS 9300 SPORT ESTÁ DISEÑADO Y FABRICADO PARA UNA FÁCIL INSTALACIÓN Y PROVEE OPERACIÓN CON BAJO MANTENIMIENTO. ANTES DE INSTALAR EL NUEVO POLARIS 9300 SPORT, POR FAVOR HAGA LO SIGUIENTE:

- 1) Complete and retorne the targeta de garantía.
- 2) Anote su información de compra en los espacios provistos a continuación.
- 3) Adjunte su factura (o copia) a esta página.

Tomar estas medidas ayudarán a garantizar pronto servicio, en caso de ser requerido. Si requiere servicio, póngase en contacto con su concesionario original. Si el concesionario original no realiza el servicio de garantía, por favor, visite www.polarispool.com para localizar una compañía de servicios independiente cerca de usted. Si usted no puede localizar una compañía de servicios, por favor llame a nuestro departamento de Soporte Técnico al 800-822-7933.

ARCHIVE SUS DATOS DEL Limpiafondos 9300 SPORT AQUÍ:

Fecha de compra _____ Comprado a _____ Número de serie: _____
(localizado en la cabeza de la maquina)

Ciudad _____ Estado _____ Código postal _____

Sección 1. Importantes instrucciones de seguridad

Felicitaciones en la compra del limpiafondos Polaris 9300 Sport. Por favor tome un momento para leer todo el manual antes de instalar su nuevo robot limpiafondos. Su limpiafondos debe ser instalado y operado tal como se especifica.

LEA Y SIGA TODAS LAS INSTRUCCIONES

ADVERTENCIA

El incumplimiento de las advertencias de precaución puede resultar en una lesión permanente a personas, electrocución o ahogamiento.

PREVENGA UNA DESCARGA ELÉCTRICA

Para reducir el riesgo de descarga eléctrica:

Conecte la unidad al tomacorriente protegida por un interruptor de circuito de descarga a tierra (GFCI).

- Por el Código Eléctrico Nacional de Estados Unidos (NEC), mantener la unidad de fuente de energía por lo menos cinco (5) pies del borde del agua (piscina / spa) y no lo retire de su carrito. En Canadá, el Código Eléctrico Canadiense (CEC) exige una distancia mínima de 3 m (10 pies) que debe mantenerse entre el borde de la piscina y de la unidad Eléctrica. Nunca sumerga el fuente de energía.
- No ingrese a la piscina cuando el 9300 Sport este en el agua.
- No entierre el cable. Localizar el cable con el fin de evitar que sea dañado por cortadoras de césped, podadoras y otros equipos.
- Para reducir el riesgo de descarga eléctrica, no utilice el limpiador 9300 Sport o la fuente eléctrica si el cable está roto o dañado. Contacte Zodiac Pool Systems, Inc. de inmediato para el reemplazo del cable.
- Doble aislamiento para una protección continua contra las descargas eléctricas es posible, utilice sólo repuestos idénticos cuando lo repare. No trate de reparar el limpiafondos 9300 Sport, la fuente de energía, el cable de suministro, o el cable flotante.
- **NUNCA ABRA LA FUENTE DE ENERGIA ELECTRICA**
- No utilice un cable de extensión para conectar la unidad al suministro eléctrico, proporcione un toma corrientes en el lugar adecuado. El fuente de energía debe ser colocado cerca de la caja del tomacorriente.

PREVENGA A QUE LOS NIÑOS SE LESIONEN Y SE AHOGUEN

- Para reducir el riesgo de lesiones, no permita que los niños utilicen este producto.
- No deje que nadie, especialmente los niños pequeños, se sienten, caminen, se apoyen, o suban en cualquier equipo instalado como parte del sistema de operacion de su piscina.

PRECAUCIÓN

El incumplimiento de las siguientes advertencias podría causar daños al equipo de la piscina o lesiones personales.

- El limpiafondos 9300 Sport debe ser instalado y operado como se especifica.
- Apague el limpiafondos 9300 Sport antes de sacarlo del agua, y no lo opere fuera del agua.
- No remueva el limpiafondos 9300 Sport de la piscina durante 15 minutos después de que el ciclo de limpieza haya finalizado.
- Limpie el porta filtro del limpiafondos 9300 Sport después de cada uso.
- No utilice el producto en su piscina si la temperatura del agua es superior a 95 °F (35 °C) o inferior a 55 °F (13 °C).

 **PRECAUCIÓN****USO DEL Limpiafondos POLARIS 9300 SPORT EN UNA PISCINA REVESTIDA DE VINILO**

Los dibujos en algunos revestimientos de vinilo son especialmente susceptibles a desgaste superficial o borrado del dibujo, como resultado de que entren en contacto con la superficie vinílica determinados objetos, tales como cepillos, juguetes de piscina, flotadores, fuentes, surtidores de cloro y limpiafondos automáticos. Los dibujos de algunos revestimientos de vinilo pueden rayarse o rasgarse de manera considerable simplemente al rozar la superficie con un cepillo de piscina. También puede borrarse la tinta del dibujo durante la instalación o al entrar en contacto con objetos en la piscina. Zodiac Pool Systems, Inc., no asume responsabilidad alguna por el borrado del dibujo o el rayado o rasgado del revestimiento de vinilo, ni la garantía limitada cubre estas contingencias.

Sección 2. Especificaciones del Polaris 9300 Sport

2.1 Especificaciones Generales

Las especificaciones generales para el Polaris 9300 Sport son las siguientes:

Caja control de suministro de voltaje:	100-125 VAC, 60 Hz
Polaris 9300 suministro de voltaje:	28 V DC
Carga de instalado:	150 W max
Longitud del cable:	60 pies (18 m)
Tamaño del limpiafondos (WxDxH):	16.9 x 18.9x 10.6 pulgadas 43 x 48 x 27 cm
Tamaño de paquete (WxDxH):	22.8 x 22.8 x 23.2 pulgadas 58 x 58 x 59 cm
Peso del limpiafondos:	25 lbs 11.3 kg
Peso del paquete:	42 lbs 19 kg
Capacidad de Filtración:	100 micrones
Duración de ciclos:	1.30 horas, 2.30 horas

El Polaris 9300 es un producto de doble aislamiento. Un aparato con doble aislamiento eléctrico que ha sido diseñado de tal manera que no requiere una conexión de descarga a tierra. El requisito básico para el doble aislamiento es que ninguna descarga eléctrica puede ocasionar voltajes peligrosos a causa de una descarga eléctrica y que esto se logra sin tener que depender de una carcasa de metal con descarga a tierra (conexión a tierra). Esto se logra teniendo dos capas de material aislante que rodea las partes vivas utilizando aislamiento reforzado. Por lo tanto, los dispositivos construidos con doble aislamiento, tales como el Polaris 9300, no utilizan un cable/enchufe con conexión a tierra (de tres patillas).

Sección 3. Armado y uso inicial

3.1 Desembalaje/Desempaquete

El paquete debe contener los siguientes elementos (vea la Figura 1):

- Limpiafondos 9300 Sport
- Fuente de energía
- Carrito de transporte y almacenamiento (completo con componentes ensamblados)

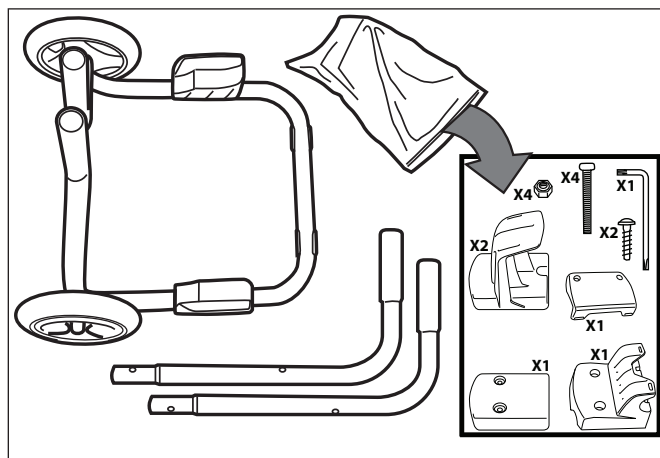


Figura 1. Componentes del Polaris 9300 Sport

Compruebe que la unidad no ha sido dañada durante el transporte. Si detecta daños, póngase en contacto con Zodiac Pool Systems, Inc. al 800.822.7933 antes de utilizar el limpiafondos 9300 Sport.

Desempaquete el 9300 Sport y sus componentes:

1. Retire la parte inferior de el carrito, junto con los soportes superior e inferior del cable de energía, soporte de la fuente de energía, placa del cable de energía, placa de fijación, tuercas, pernos y tornillos.
2. Retire la caja pequeña que contiene la fuente de energía.
3. Retire las manijas (izquierda y derecha) del carrito, que se encuentran al lado de la caja.
4. Retire el limpiafondos de la caja.

3.2 Armado del carrito de transporte

1. Coloque el soporte del cable de energía y el soporte de fuente de energía en los tubos superiores, como se muestra en la Figura 2. Asegúrese de que los tubos superiores (manijas) se encuentren en la orientación correcta.

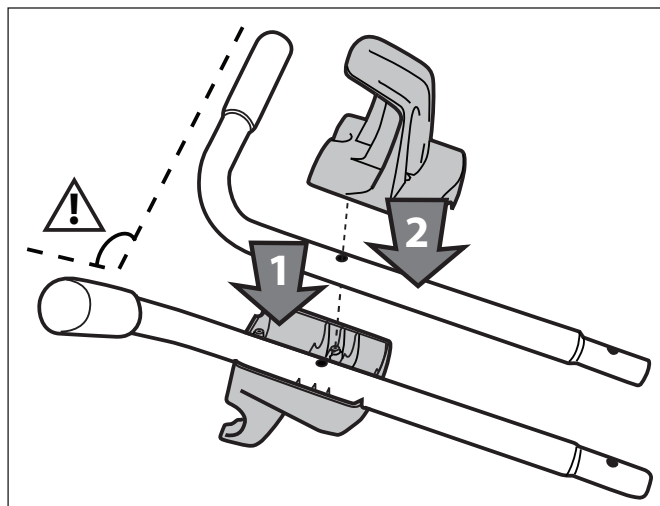


Figura 2. Instale los soportes en las manijas superiores

2. Asegure el soporte del cable de energía y el soporte de fuente de energía alrededor de los tubos con un tornillo y apriete a mano con la llave de la llave Torx® (proveída con la unidad). Vea la Figura 3.

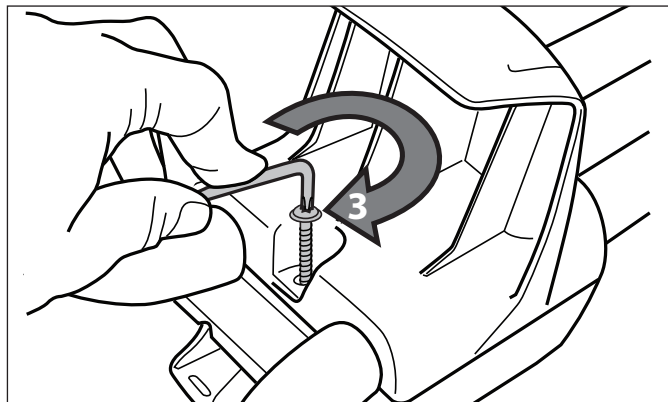


Figura 3. Instale el soporte del cable con el soporte de la fuente de energía

3. Asegure el soporte de la fuente de energía utilizando dos (2) tornillos y dos (2) tuercas y aprietaslas con una llave Torx. Vea la Figura 4.

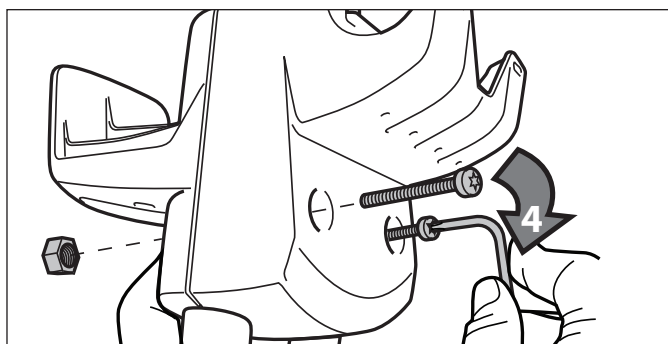


Figura 4. Asegure los soportes

4. Inserte los tubos superiores (manijas) en los tubos de abajo en el carrito como se muestra en la Figura 5. Asegúrese de que los tubos superiores (manijas) se encuentran en la orientación correcta y alinee los orificios de los tornillos.

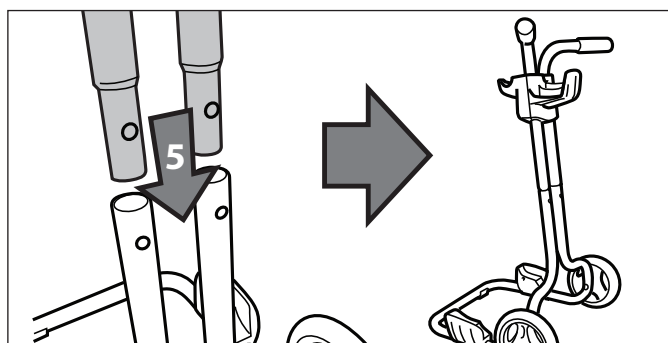


Figura 5. Instale las manijas

5. Coloque el soporte del cable de corriente abajo como se muestra en la Figura 6. Coloque la placa del soporte del cable frente al soporte del cable de energía. Asegúrelo mediante un tornillo y apriete con la llave Torx. Vea la Figura 7.

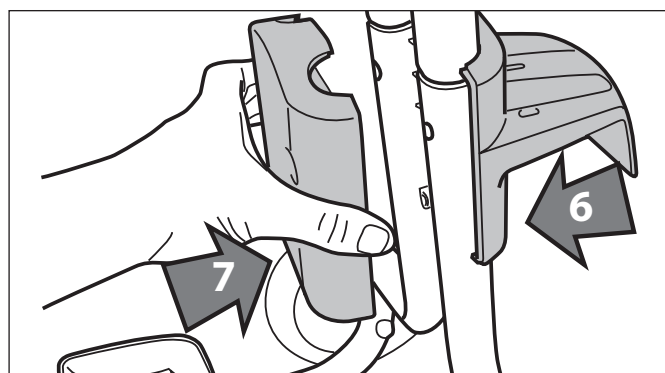


Figura 6. Coloque los soportes inferiores

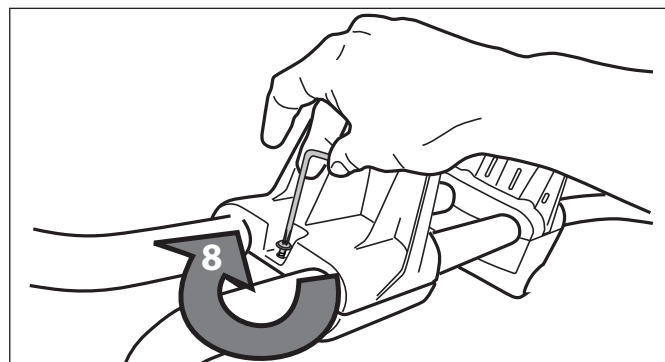


Figura 7. Asegure los soportes inferiores

6. Sujete la placa del soporte de cable de energía con dos (2) pernos y dos (2) tuercas y apriete los con una llave Torx. Vea la Figura 8. El carrito de transporte está listo para usarlo como se muestra en la Figura 9.

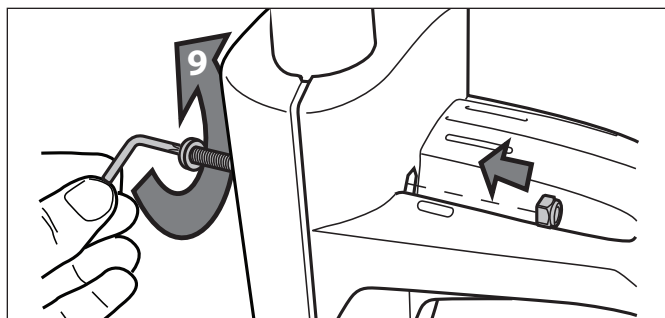


Figura 8. Asegure la placa de los soportes del cable

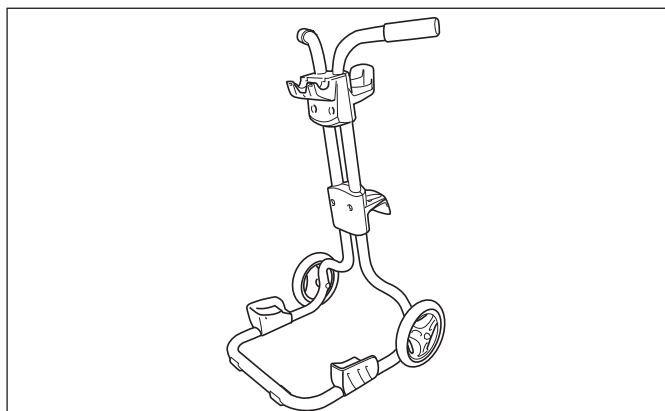


Figura 9. Armado del carrito de transporte y almacenamiento

3.3 Conexión de la fuente de energía para el carrito

1. Coloque la fuente de energía sobre el soporte de la fuente de energía en la carrito.
2. Deslice los sujetadores de la placa de fijación en el soporte de control y alinie los orificios de los tornillos. Vea la Figura 10.

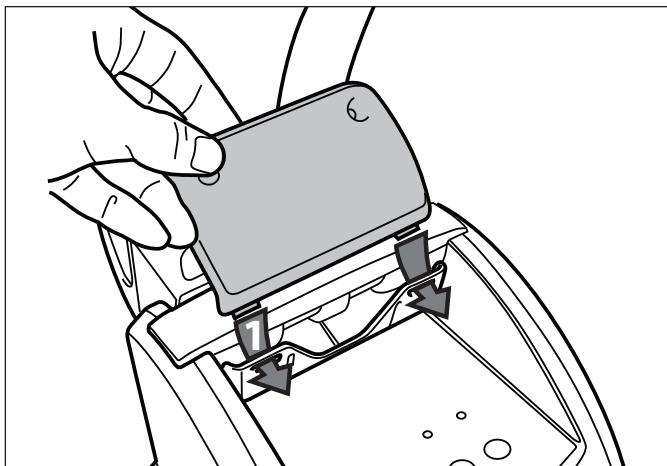


Figura 10. Posición de los sujetadores del placa de fijación

3. Sujete la placa de fijación con los tornillos de cabeza Phillips. No apriete en exceso. Vea la Figura 11.

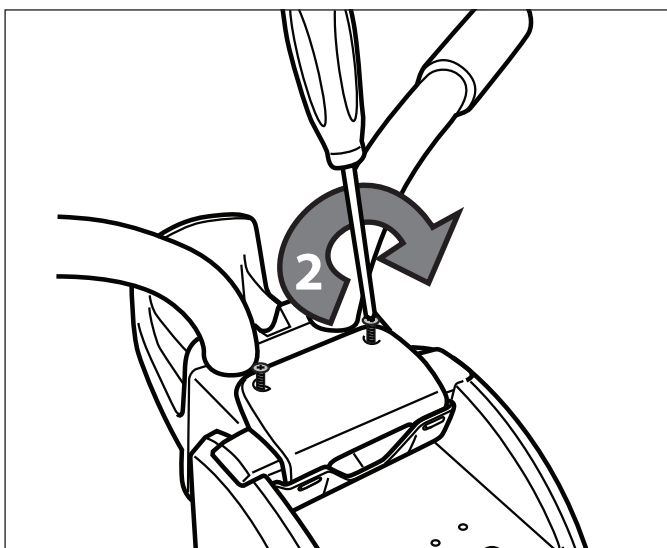


Figura 11. Sujetando la placa de fijación

Español

3.4 Conexión eléctrica

⚠ ADVERTENCIA

El incumplimiento de las advertencias de precaución puede resultar en una lesión permanente, electrocución o ahogamiento.

EVITAR UNA DESCARGA ELÉCTRICA

- Mantenga la fuente de energía por lo menos cinco (5) pies de la orilla de la piscina (Canadá 3m (10 pies) por los requisitos de la CCA). Nunca sumerja el fuente de energía.
- Sólo conectar la fuente de energía a un receptáculo protegido por un interruptor de circuito de descarga a tierra (GFCI). En contacto con un electricista calificado si no puede comprobar que el recipiente está protegido por un GFCI.
- No utilice un cable de extensión para conectar la fuente de energía.
- No permita a nadie nadar, mientras que el limpiafondos 9300 Sport este dentro de la piscina.

Para su seguridad y para obtener el mejor rendimiento posible de su 9300 Sport, conecte el cable de flotación del limpiafondos a la fuente de energía y a la rosca del conector hasta que esté ajustado. No apriete en exceso. Vea la Figura 12.

IMPORTANTE

- La fuente de energía Sport 9300 está equipado con una función de apagado automático para evitar el sobrecalentamiento en caso de operar en la luz solar directa durante un período prolongado de tiempo.
- La fuente de energía 9300 Sport es resistente al agua, no es a prueba de agua. Por lo tanto, nunca sumerja el fuente de energía.

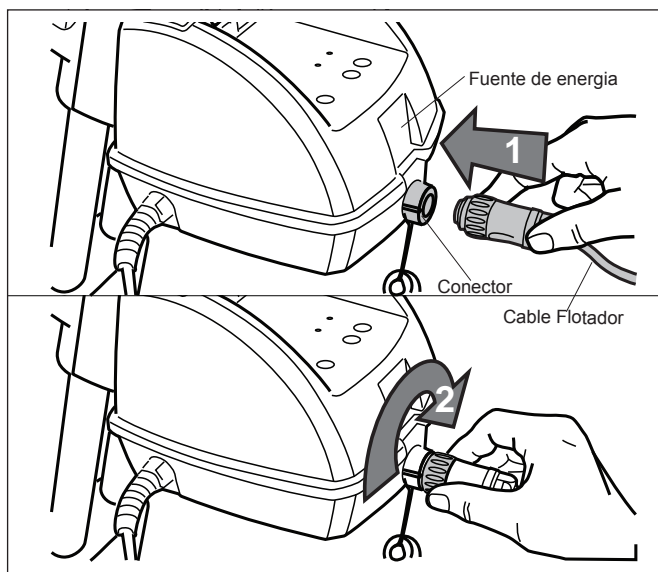


Figura 12. Conexión eléctrica

Sección 4. Operación

4.1 Sumerjiendo el limpiafondos

1. Sumerja el limpiafondos en la piscina y elimine el aire atrapado en el interior, colocando la unidad verticalmente. Vea la Figura 13.

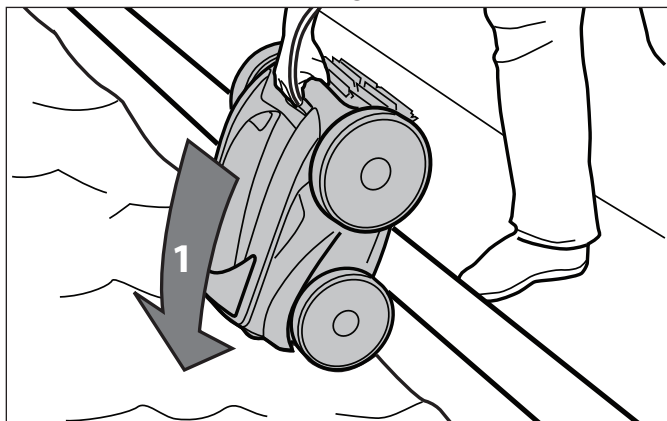


Figura 13. Submerjiendo el limpiafondos verticalmente

2. Asegúrese de que la unidad se hunda hasta el fondo de la piscina. Vea la Figura 14.

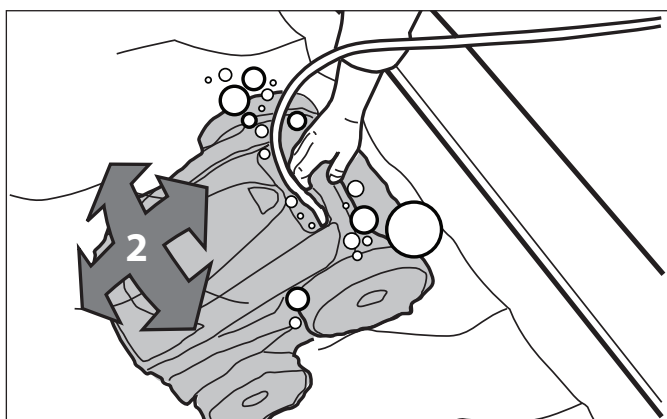


Figura 14. Limpiafondos abajo de la piscina

3. Difunda el cable flotador sobre la piscina, asegurándose que no este torcedido o mal enrollado. Vea la Figura 15.

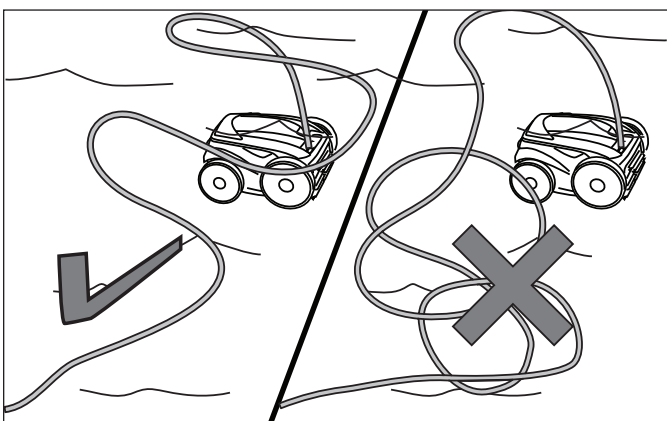


Figura 15. Difundiendo el cable flotador sobre la piscina

4.2 Funcionamiento del limpiafondos

Seleccione el programa de limpieza Ciclo I o Ciclo II en la fuente de energía:

Programa de Ciclo I	Programa de Ciclo II
• Completado en 1.5 horas	• Completado en 2.5 horas
• Maxima cobertura in poco tiempo	• Completa e intensiva limpieza
	• Limpieza a fondo de azulejo

1. Para iniciar el limpiafondos 9300 Sport, pulse el botón del programa de limpieza "Ciclo I", este ciclo de limpieza es primariamente para piscinas empotradas. Si se prefiere un ciclo alternativo, pulse "Ciclo II". Vea la Figura 16. La luz indicadora se ilumina y el limpiafondos se encenderá después de sólo unos segundos. Cuando el limpiafondos este encendido, éste permanecerá en espera hasta que se pulse el botón de Ciclo I.

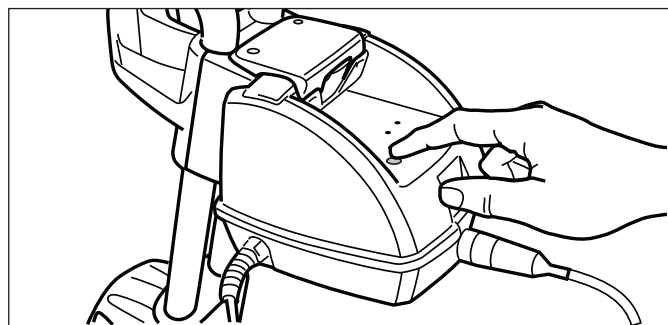


Figura 16. Encendiendo el limpiafondos

2. Cuando el botón de programa "Ciclo I" se selecciona la luz del indicador anterior se iluminará. El limpiafondos se encenderá en unos segundos.
3. Para cambiar el ciclo de limpieza seleccionado, pulse el botón de nuevo ciclo y el nuevo ciclo se encenderá en unos segundos.
4. Si desea detener el limpiafondos durante un ciclo de limpieza, pulse el botón OFF. Vea la Figura 17.
5. Al final del ciclo, el limpiafondos se detiene y después de 15 minutos, la luz parpadea lentamente para indicar que el ciclo se ha completado.
6. El 9300 Sport incluye una característica de seguridad que detiene automáticamente al limpiafondos después de unose 20 segundos, cuando está encendido, pero no sumergido en el

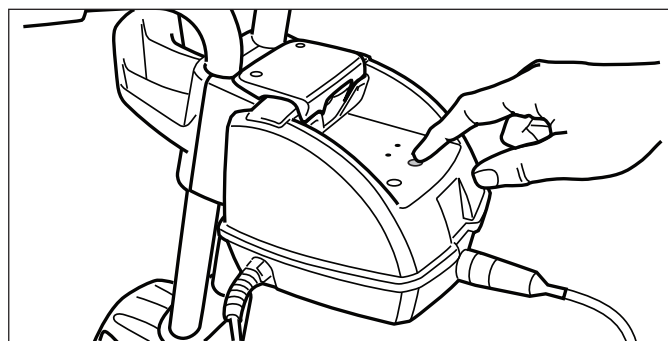


Figura 17. Apagando el limpiafondos

agua. Para las piscinas equipadas en un área de playa, esta característica de seguridad permite que el limpiafondos regrese, y de nuevo entre a la piscina cuando el rotor está fuera del agua.

7. Desconecte el cable de energía de la toma de corriente.
8. Desconecte el cable de la fuente de energía.
9. **Al final de cada ciclo, enrolle el cable comenzando del limpiafondos hasta punto de conexión a la fuente de energía. Elimine malos enrollos y torceduras.**

PRECAUCIÓN

Para evitar daños en el 9300 Sport, asegúrese de cumplir con las siguientes directrices:

- Aproximadamente 15 minutos después de finalizado el ciclo, la luz se encuentra en la fuente de energía parpadea lentamente para indicar que el limpiafondos puede ser removido de la piscina. El período de 15 minutos permite que el motor se enfríe y evitar daños al limpiafondos.
- Retire el 9300 Sport de la piscina después de que el ciclo de limpieza se completa y almacenar en el carrito.
- Nunca levante la 9300 Sport de la piscina por el cable flotante. Siempre use el manubrio para sacarlo de la piscina. Consulte las Figuras 18 y 19.
- Retire el 9300 Sport de la piscina cuando este en super cloración.

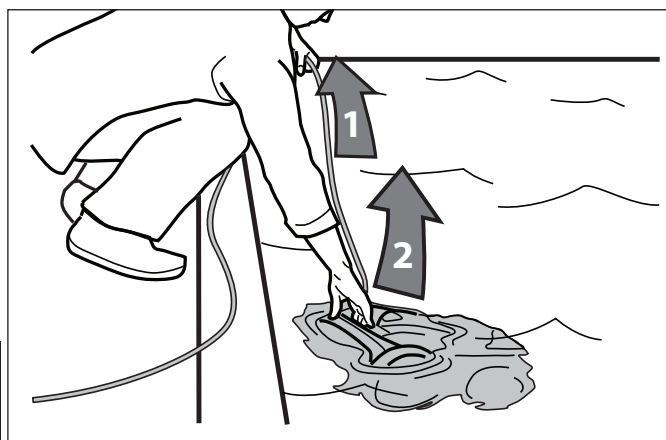


Figura 18. Removiendo el limpiafondos de la piscina



Figura 19. Mantenga le limpiafondos verticalmente para drenarlo de agua

IMPORTANTE

- Utilice el limpiafondos 9300 Sport con la frecuencia necesaria para mantener su piscina limpia.
- Limpie el porta filtro después de cada ciclo de limpieza.
- No deje su limpiafondos de la piscina en forma permanente.
- Al final de cada ciclo, retire el limpiafondos de la piscina. Comience en la cabeza del limpiafondos y desenrede cualquier torcedura de la manguera antes de guardar el limpiafondos.

Sección 5. Limpieza y mantenimiento

ADVERTENCIA

Para evitar una descarga eléctrica y otros peligros que podrían ocasionar lesiones permanentes o la muerte, desconecte (desenchufar) el limpiafondos de la fuente de energía antes de realizar cualquier operación de limpieza y mantenimiento.

5.1 Limpieza del porta filtro

El porta filtro debe ser limpiado al final de cada ciclo.

1. Asegúrese de que el cable de energía se ha desconectado de la toma corriente o que el cable de flotación este desconectado de la fuente de energía.
2. Retire el limpiafondos del agua y deje que el agua se fuge manteniendo la aspiradora en la posición vertical.
3. Ajuste la unidad sobre sus ruedas.
4. Para quitar el filtro del limpiafondos siga los pasos del 1 al 6 (Figuras 20 a 23).
5. Empuje la cubierta de seguridad (1) y levante la cubierta (2) hasta que quede asegurado en la posición vertical. Vea la Figura 20.
6. Retire el ensamble del filtro del cuerpo (3), como se muestra en la Figura 21.

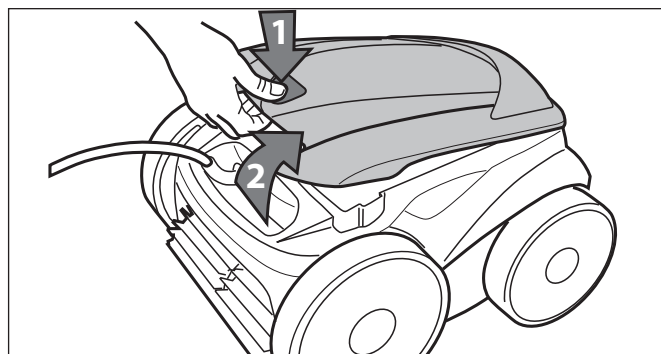


Figura 20. Levante la cobertura del limpiafondos

7. Pulse el botón de liberación rápida del ensamble del porta filtro (4) y jale el ensamble del filtro (5). Vea la Figura 22.
8. Separe el porta filtro del soporte del filtro (6), como se muestra en la Figura 23.
9. Lave el porta filtro, el soporte del filtro, y el limpiafondos con agua o con una manguera (7). Vea la Figura 24.

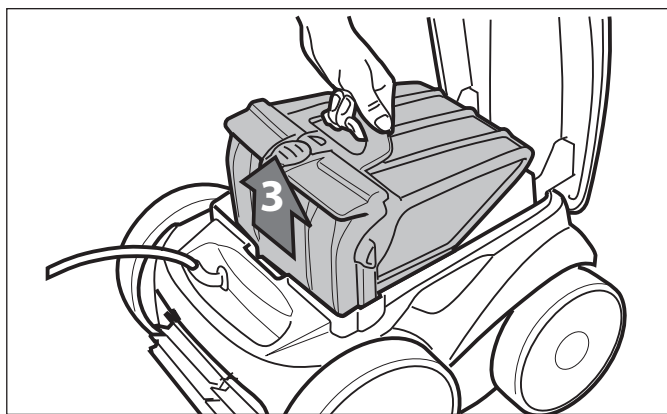


Figura 21. Remueva el ensamblaje del filtro

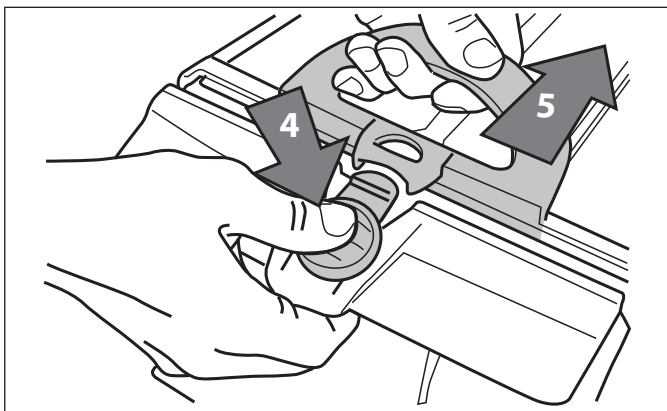


Figura 22. Abra el ensamblaje del filtro

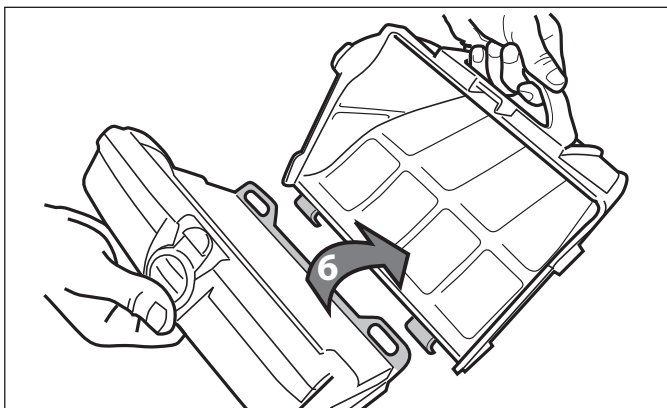


Figura 23. Remueva el porta Filtro

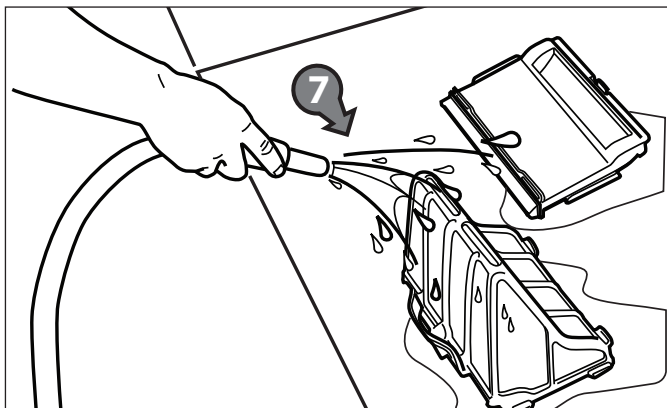


Figura 24. Lave el porta filtro

5.2 Limpieza y conservación del limpiafondos

El limpiafondos deben limpiarse regularmente usando un poco de agua limpia y jabón, no utilice disolventes tales tricloroetileno o su equivalente. Enjuague el limpiafondos generosamente con agua limpia. No deje que el limpiafondos en seco bajo la luz solar directa, cerca de la piscina. El limpiafondos debe ser almacenado en su propio carrito, de modo que se seque rápidamente.

1. Coloque las ruedas traseras al lado de las cuñas del carrito como se muestra en la Figura 25.



Figura 25. Coloque el limpiafondos en el carrito

2. Gire la unidad en el lugar del carrito. Vea la Figura 26.

NOTA El cable del limpiafondos debe ser desconectado de la caja de control antes de retirar el limpiafondos de la piscina. Envuelva el cable alrededor de los soportes del limpiafondos ubicados en la parte trasera de la carrito.

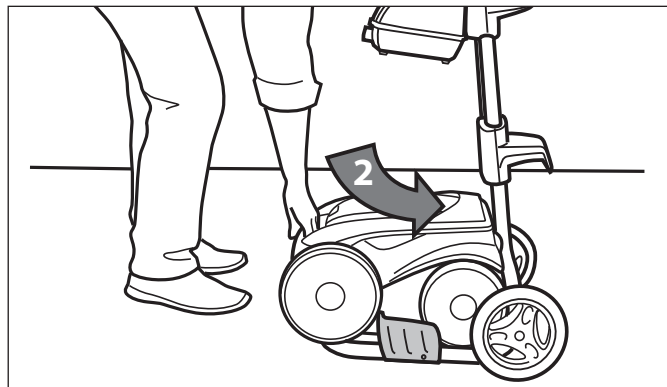


Figura 26. Mueva el limpiafondos al carrito

5.3 Cambio de los cepillos

El limpiafondos está equipado con cepillos de PVC. Hay indicadores de “desgaste” de los cepillos. Para mantener el limpiafondos en su mejor rendimiento es necesario sustituir los cepillos tan pronto los indicadores de desgaste sean alcanzados (incluso si el desgaste de la hoja no es). Polaris recomienda sustituir los cepillos cada dos (2) años.

1. Levante el limpiafondos a una posición vertical de manera que el mango quede hacia arriba. Vea la Figura 27.

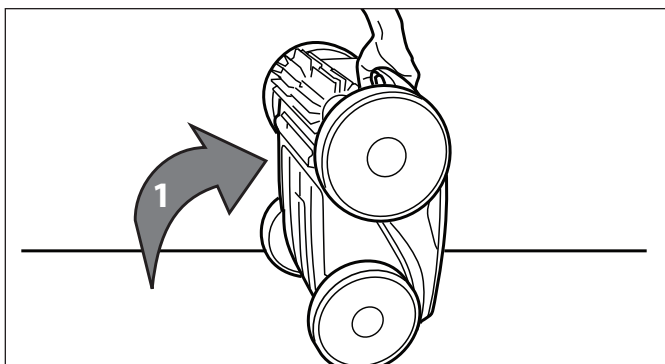


Figura 27. Limpíelo en posición hacia arriba

2. Separe los bordes del cepillo y deshaga las pestañas como se muestra en la Figura 28. Retire los cepillos gastados.

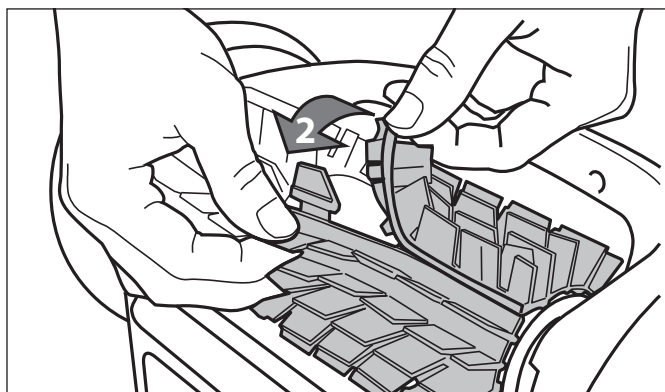


Figura 28. Deshaga las trabillas del cepillo

3. Para instalar un nuevo cepillo y coloque el cepillo nuevo en el rodillo con las puntas hacia abajo. Vea la Figura 29.

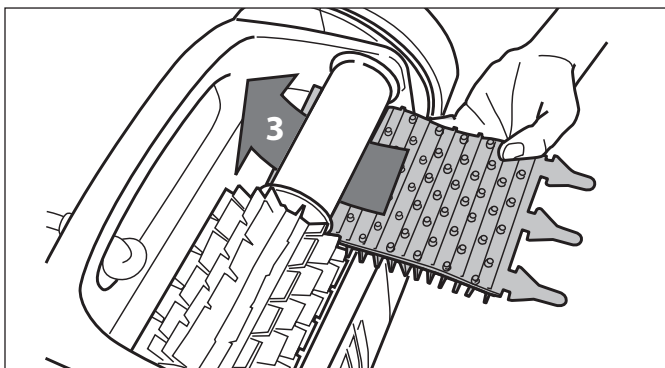


Figura 29. Instale el nuevo cepillo

4. Enrosque cada trabilla en la ranura proveida y suavemente páselo hasta que el talón salga al otro lado de la ranura. Vea la Figura 30.

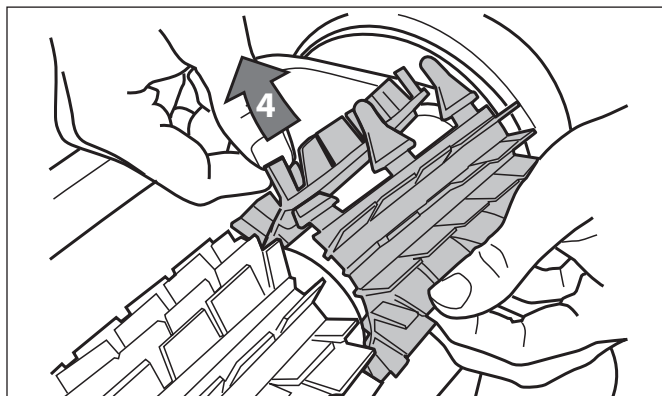


Figura 30. Jale la trabilla en la ranura

5. Use un par de tijeras para cortar las trabillas de 3/4 pulgadas desde el talón a fin de que no sean más elevados que los picos como se muestra en la Figura 31.
6. Repita este procedimiento para instalar el segundo cepillo.

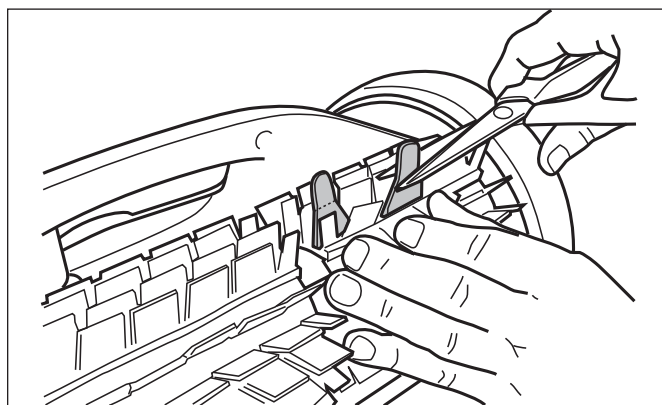


Figure 31. Corte las trabillas

5.4 Cambio de los neumáticos del limpiafondos

1. Tire de la parte interior del neumático viejo para quitar el borde del neumático de la rueda. Vea Figura 32.

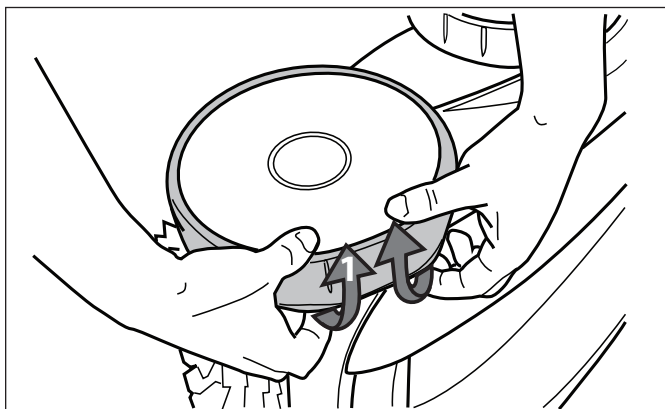


Figura 32. Jale el viejo neumático sobre la rueda

2. Quite el neumático viejo, como se muestra en la Figura 33.

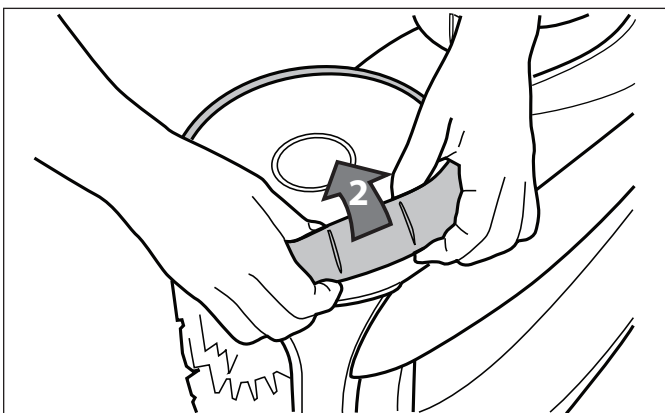


Figura 33. Remueva el viejo neumático

3. Para reemplazar el neumático, coloque el neumático en la rueda asegurándose de orientar el neumático de modo que las ranuras estén en el lado exterior de la rueda. Vea Figura 34.

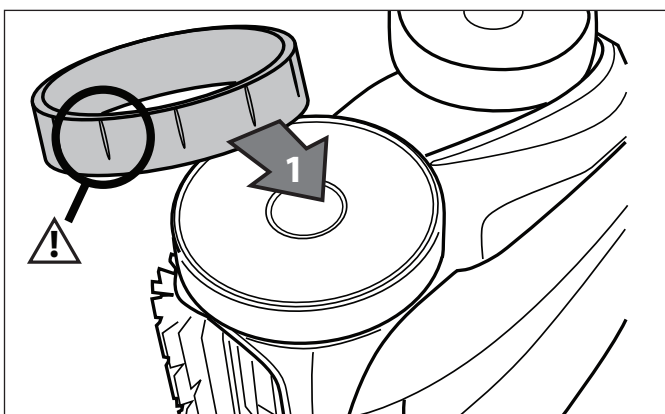


Figura 34. Orientación de neumático

4. Pulse un lado del neumático de la rueda y el ajuste de la costilla del neumático en la ranura de la rueda como se muestra en la Figura 35.

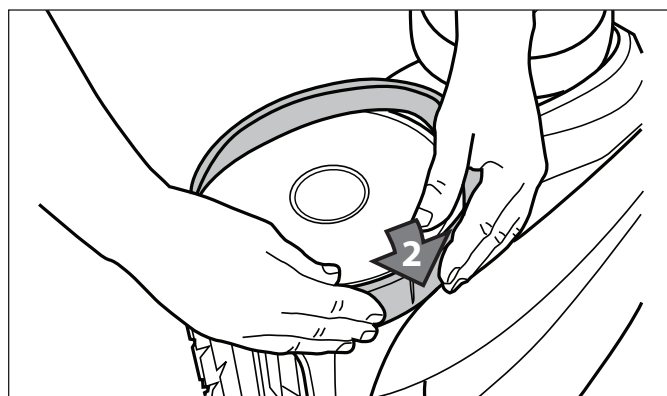


Figura 35. Comience al otro lado del neumático

5. Meta el neumático en la rueda y verifique que la costilla de la llanta este en la posición correcta con la ranura de la rueda. Vea la Figura 36.

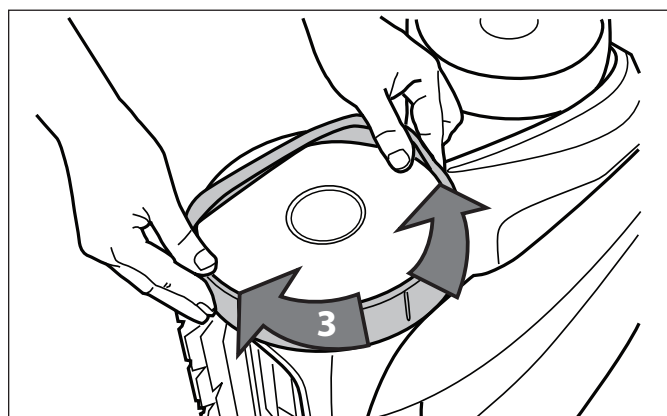


Figura 36. Meta el neumático en la rueda

6. Empuje y coloque la costilla de la parte interior del neumático en la ranura de la rueda. Vea Figura 37. Si es necesario, gire el volante con suavidad para ayudar con la instalación.

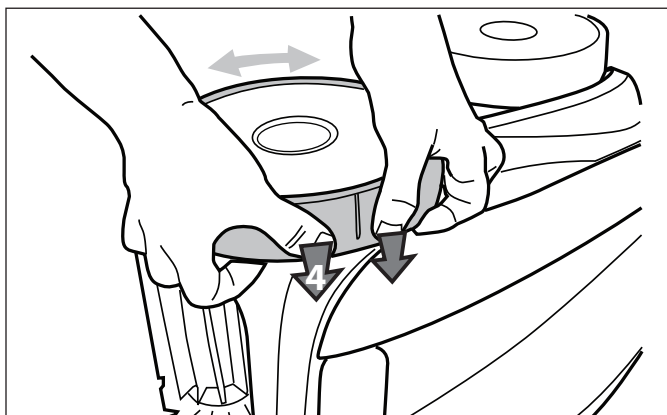


Figura 37. Empuje el neumático dentro de la rueda

Sección 6. Diagnóstico de averías

6.1 Diagnóstico general de averías

La tabla 1 muestra algunos de los síntomas más comunes, causas y soluciones al usar el limpiafondos. La unidad cuenta con luces intermitentes para indicar los diferentes asuntos del fuente de energía en el limpiafondos. Estas indicaciones no son necesariamente mayores cuestiones. Para apagar la luz intermitente, presione el botón de encendido. A continuación, inicie un nuevo ciclo: Si las luces intermitentes persisten después de completar el diagnóstico de averías, por favor, póngase en contacto con su distribuidor. **NO ABRA** el fuente de energía.

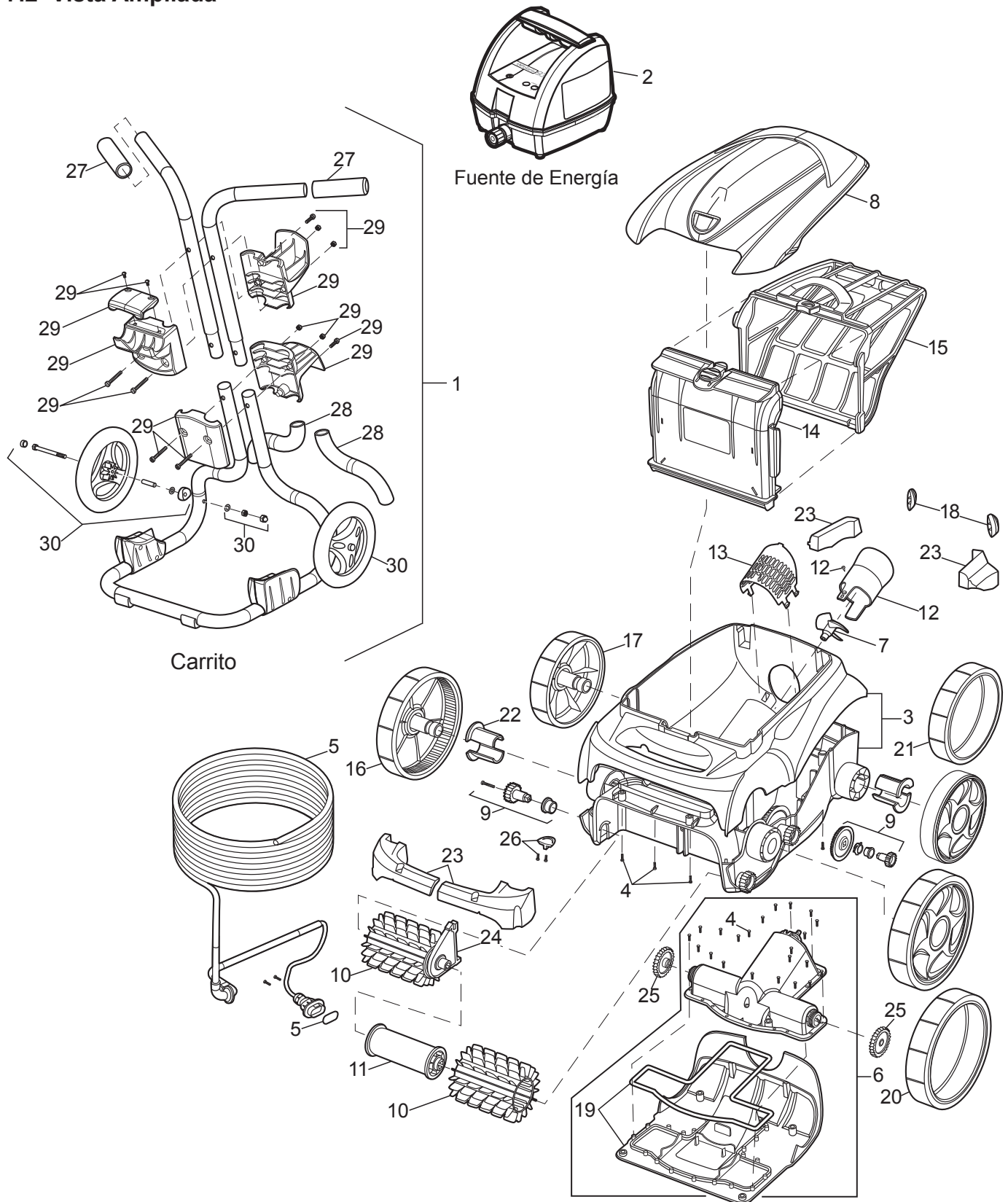
Sintoma	Causa	Solución
Se encendie el indicador inremiteinte justo después del inicio (pulsando el botón o para iniciar un nuevo ciclo con el limpiafondos) (<20 segundos)	Asegúrese que el cable flotante está correctamente conectado al fuente de energía.	Desconecte el cable de flotación de la fuente de energía y conectarlo de nuevo correctamente.
	Asegúrese de que el limpiafondos está bien sumergida.	Sumerja el limpiador siguiendo el procedimiento en la Sección 4.1, "Sumergiendo el limpiafondos".
	Limpiador debe ponerse a cero y empezar un nuevo ciclo.	Pulse el botón de encendido y apagado luego Ciclo I o II con los botones del programa para iniciar un nuevo ciclo.
	el propelador no gira.	Póngase en contacto con su representante de servicio local de Polaris.
	Ruedas no giran	Póngase en contacto con su representante de servicio local de Polaris.
Las luces intermitentes aparece durante el ciclo.	Si el limpiador aspira el aire durante 60 segundos, la luz parpadeante.	Sumerja el limpiador siguiendo el procedimiento en la Sección 4.1, "Sumergiendo el limpiafondos".
El limpiafondos no se mantiene firme en el fondo de la piscina.	No hay aire en la carcasa del aparato.	Sumerja el limpiador siguiendo el procedimiento en la Sección 4.1, "Sumergiendo el limpiafondos".
El limpiafondos no tiene o no se sube a los lados de la piscina.	El filtro está lleno o sucio.	Limpe el porta filtro siguiendo el procedimiento Sección 5.1, "Limpieza del porta filtro".
	Lados de la piscina son resbaladizas o pegajosas. Aunque parece clara el agua, las algas microscópicas, invisibles para el ojo humano, están presentes en la piscina. Como resultado, los lados de la piscina se vuelven muy resbalosas y evitan que el limpiafondos suba.	Hacer un tratamiento de cloración de choque y reducir ligeramente el pH. NO deje que el limpiafondos de la piscina durante este tratamiento.
Al iniciar el limpiafondos no se mueve.	No suministrados con electricidad.	La salida de la fuente de energía está conectado a no suministra energía eléctrica. Compruebe que la salida a la que la fuente de energía está conectado está recibiendo electricidad.
	Unidad está encendida.	Compruebe que ha comenzado una (1) de los dos (2) programas y comprobar que se enciende el indicador para el programa seleccionado. Si el problema persiste, póngase en contacto con su representante local de servicio de Polaris.
El ciclo de los indicadores del programa I y II parpadean en forma alternativa.	Su limpiafondos ha detectado un problema en su funcionamiento.	Desconecte la fuente de energía y espere 20 segundos antes de volver a conectar la fuente de energía. Compruebe que el cable está correctamente conectado a la fuente de energía. Compruebe que los desechos no impide la rotación de los cepillos y / o la hélice. Limpie el filtro. Iniciar un programa de limpieza. Si el problema persiste contacte con su representante local de servicio de Polaris.
El limpiafondos parece estar rindiendo menos eficiente.	Los cepillos se han suavizado.	Reemplace las escobillas con el procedimiento en la Sección 5.3, "Cambio de los cepillos".
	Porta filtro está lleno o sucio.	Limpe el porta filtro siguiendo el procedimiento en la Sección 5.1, "Limpieza del porta filtro".
	Cable flotante esta excesivamente enrollado o doblado.	Asegúrese de que el cable flotante se extiende a lo largo de la piscina.

Sección 7. Polaris 9300 Sport vista ampliada y lista de repuestos

7.1 Lista de repuestos

No. Pieza	Descripción	Cantidad	Repuesto No. Pieza
1	Carrito	1	R0516200
2	Energía Eléctrica, Completa	1	R0516500
3	Cubierta Principal (Arriba & Abajo)	1	R0516600
4	Kit del Tornillo del Bloque del Motor	22	R0516700
5	Cable (Flotador)	1	R0516800
6	Bloque del Motor	1	R0516900
7	Propelador	1	R0517000
8	Cobierta Completa	1	R0517100
9	Engranaje/Cojinete de Transmisión (2 Sets)	1	R0517200
10	Kit de Cepillos (Kit de 2)	1	R0517300
11	Kit de Rodillos (Kit de 2)	1	R0517400
12	Salida de Caudal	1	R0517500
13	Cortina de la Salida de Caudal	1	R0517600
14	Soporte del Envase del Filtro	1	R0517700
15	Porta filtro	1	R0517800
16	Rueda Frontal con Neumático	1	R0517900
17	Rueda Trasera con Neumático	1	R0518000
18	Almohadillas con Kit de rodillos (Kit de 2)	1	R0518100
19	Kit de Cubierta del Motor (con Anillo Tórico)	1	R0518200
20	Neumático Frontal	1	R0518300
21	Neumático Trasero	1	R0518400
22	Cojinete de Rueda (un kit por rueda)	1	R0518500
23	Conjunto de Flotadores (kit de 4 piezas)	1	R0518600
24	Separador de Cepillo	1	R0518700
25	Kit de Propulsión	1	R0518800
26	Kit de Rampa	1	R0519000
27	Kit de Manija del Carrito	1	R0507300
28	Kit de Manija Lateral del Carrito	1	R0516100
29	Kit de Soporte para la Fuente de Energía	1	R0507400
30	Kit de Ruedas, Carrito	1	R0507500

7.2 Vista Ampliada



Limpiafondos 9300 Sport

Español

TL-1501 RevD



US Conforms to UL 1081
Intertek Certified to CSA E63055-2-41

Zodiac Pool Systems, Inc.
2620 Commerce Way, Vista, CA, 92081 USA • 800.822.7933 FAX 877.327.1403

© 2010 Zodiac Pool Systems, Inc. 1002